

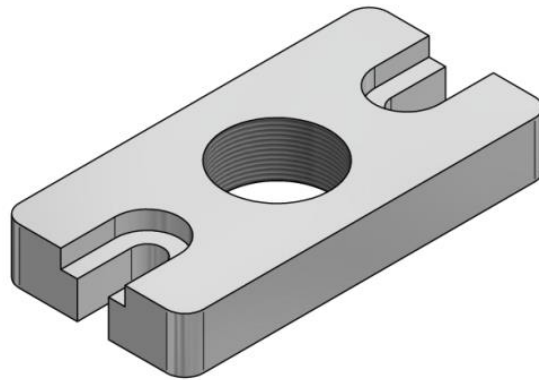
---

# SIRIUS MOUNTING FLANGE

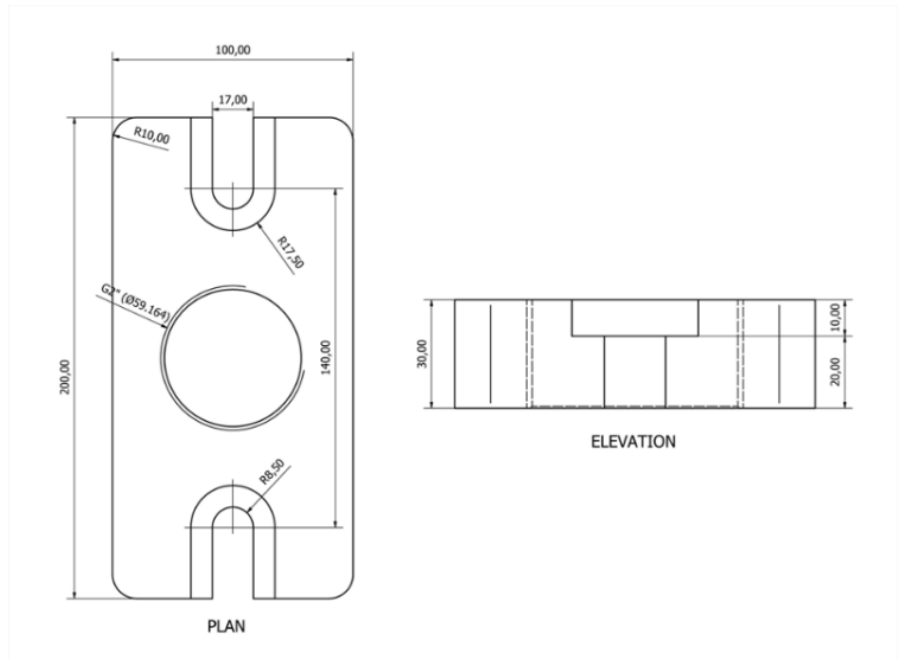


<b>Product Code</b>	<b>AL - 142 - AX</b>	
	Series Indicator (Airfield Lighting)	<b>AL</b>
	Product Indicator	<b>142</b>
	Description of product type (Accessory)	<b>AX</b>

**Material** - Aluminium



**Description**





**Signalight**

**+40 254 515 465**  
**office@signalight.com**

36 Lunca Street, Petrosani,  
Hunedoara County, Romania

**[www.signalight.com](http://www.signalight.com)**