
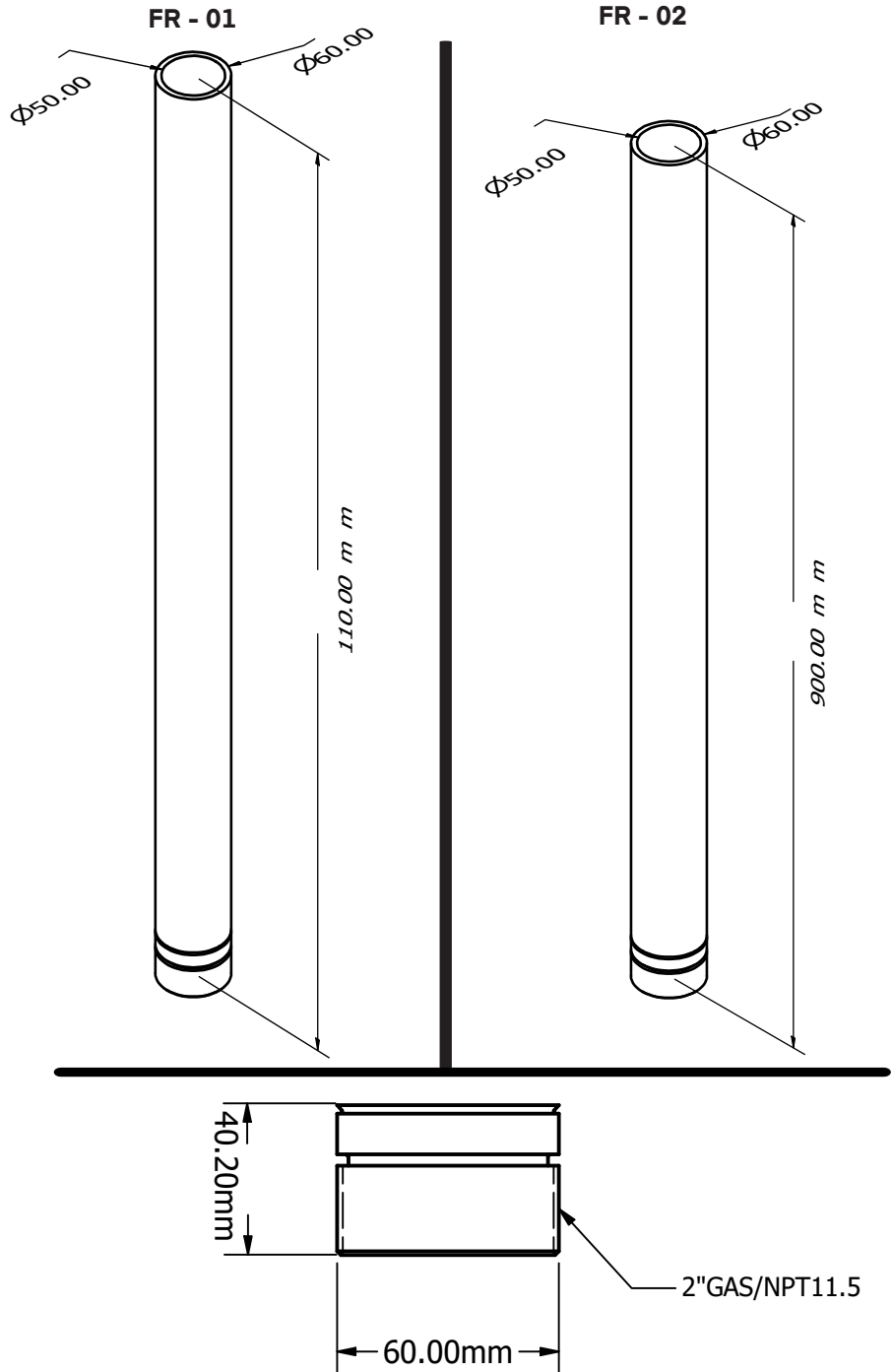


Frangible pole



<p>Product Code</p>	<p>FR - 01 Code for signs with 900 mm FASCIA</p> <p>FR - 02 Code for signs with 700 mm FASCIA</p>
	<p>Material - Aluminium Powder coated aluminium RAL 1004 (aviation yellow) </p>  <p>Description</p>



Signalight

+40 254 515 465
office@signalight.com

36 Lunca Street, Petrosani,
Hunedoara County, Romania

www.signalight.com