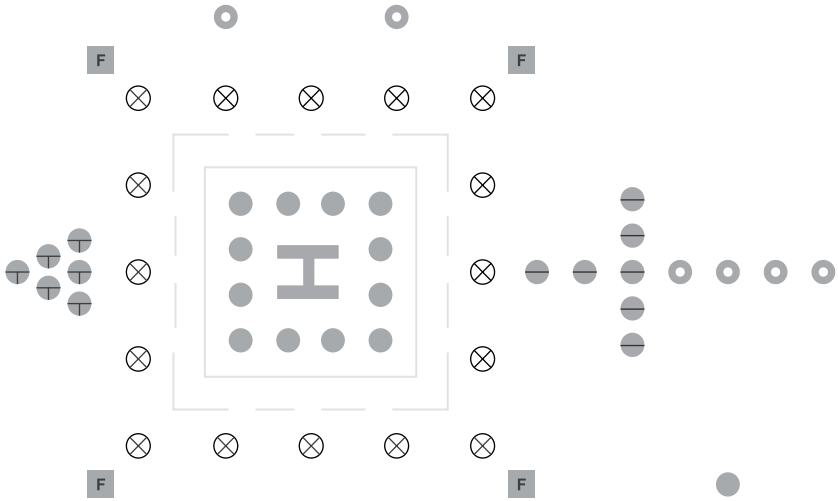



# Flat FATO

Final Approach and Take Off

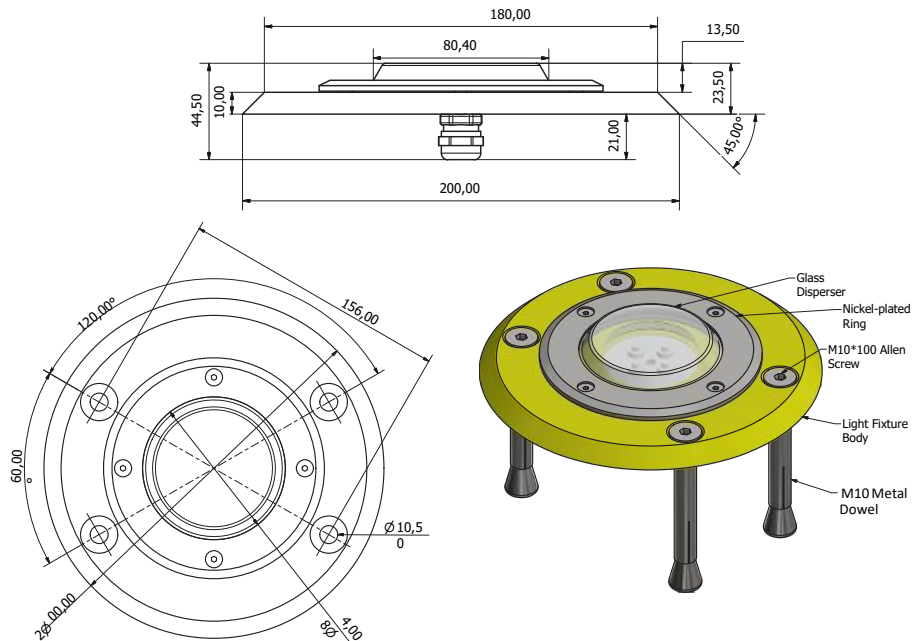


<p><b>Compliance to standards</b></p>	<p><b>ICAO:</b> Annex 14, Volume I - Aerodrome Design and Operations Annex 14, Volume II - Heliports</p> <p><b>IEC TS 61827:</b> Electrical installations for lighting and beaconing of aerodromes. Characteristics of inset and elevated luminaires used on aerodromes and heliports</p>
<p><b>Application</b></p>	<p>Aiming point and FATO lights ( Final Approach and Take Off Area )</p>  <p>The diagram illustrates a heliport lighting layout. At the center is a square area containing a large 'H' symbol, representing the FATO (Final Approach and Take Off Area). This area is surrounded by a grid of FATO lights (circles with an 'X'). Four floodlights (squares with 'F') are positioned at the corners of the FATO area. To the left of the FATO area is a cluster of aiming point lights (circles with a vertical line). To the right is a series of approach lights (circles with a horizontal line) and a single beacon light (solid circle) at the bottom right. Taxiway lights (circles) are also visible on the left side.</p> <ul style="list-style-type: none"> <li>⊕ Aiming Point Lights</li> <li>⊗ FATO Lights</li> <li>■ Floodlights</li> <li>○ Approach Lights</li> <li>○ Taxiway Lights</li> <li>● TLOF Lights</li> <li>⊖ Approach</li> <li>● Beacon Light</li> </ul>
<p><b>Features</b></p>	<p>Designed and built with simplicity and ease of maintenance in mind. High power LED technology. Lightweight, low-energy and environment friendly lighting fitting. Extensive use of aluminium alloys reduces fitting weight and eases handling in the field.</p>

<p><b>Product Code</b></p>	<p><b>AL - 071 - 04 - WH-F</b></p> <p>Series Indicator (Airfield Lighting) <b>AL</b>                  Product Indicator <b>071</b>                  LEDs Number (4 LEDs) <b>04</b>                  LEDs Light Colour (cool white ) <b>WH</b>                  Indicative for surface mounting fixture <b>F</b></p>
<p><b>Description</b></p>	<p><b>Housing</b> - Powder coated aluminium RAL 1004 (aviation yellow) </p> <p><b>Dispenser</b> - hardened glass</p> <p><b>Dispenser flange</b> - nickel plated ring</p> <p><b>Cable gland</b> - nickel plated brass</p> <p><b>Fasteners</b> - stainless steel</p> <p>Light fixtures are provided with anti condensation valve.</p>
<p><b>Environment</b></p>	<p><b>Temperature range:</b> - 55<sup>o</sup> to +55<sup>o</sup></p> <p><b>Degree of protection:</b> IP X8</p> <p><b>Ka tested:</b> Salt mist in accordance with IEC 60068-2-11 and IEC 60068-2-25</p>
<p><b>Mounting</b></p>	<p>Light fixtures are designed to be mounted on any hard flat surface, such as:</p> <ul style="list-style-type: none"> <li>• concrete</li> <li>• asphalt</li> <li>• metallic structures</li> </ul>

**Mechanical Characteristics**

**Diameter:** 200 mm  
**Height:** 23.5 mm without cable gland; 44.5 with cable gland  
**Weight:** 1.5 kg



**Electrical Characteristics**

**Power consumption** 9W  
**Power supply** 48V DC from controller - dimmable : 100% ,30%, 10%  
 90-230V, 50/60Hz - non dimmable

1. Light Fixture pre cabled :  
**Code : AL-071-04-WH-F**
2. IP68 Electrical Junction Box :  
**Code : AL-107-AX**



**Types of power supply :**

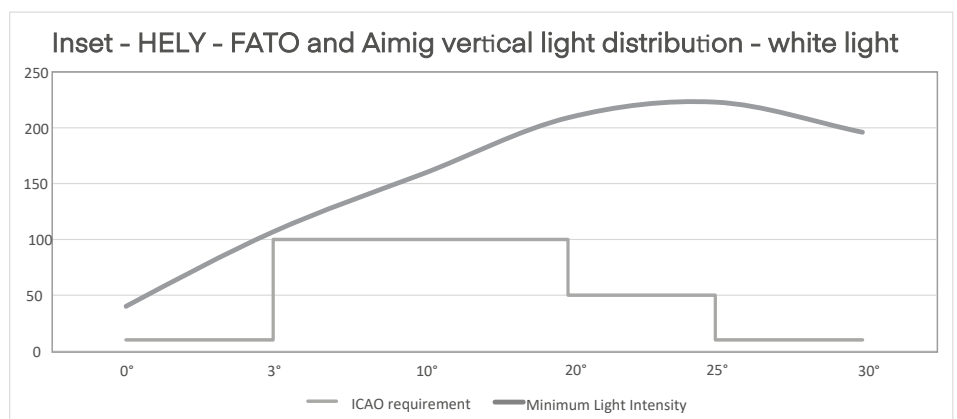
- 48V DC power supply from controller with 3 core cable  
**V+** (brown)  
**V-** (blue)  
**Dimming** (green/yellow)
- 230V AC directly from mains power supply  
**Live** (brown)  
**Neutral** (blue)  
**Ground** (green/yellow)

The light fixtures will be provided with sufficient length cable, which will be laid through a channel outside the heliport area, where it will be electrically con-nected using an IP65-rated junction box.

Photometric Characteristics

**Intensity level:** 100%, 30%, 10% with controller in 48VDC  
**Horizontal output:** 3600  
**Light colour:** White light

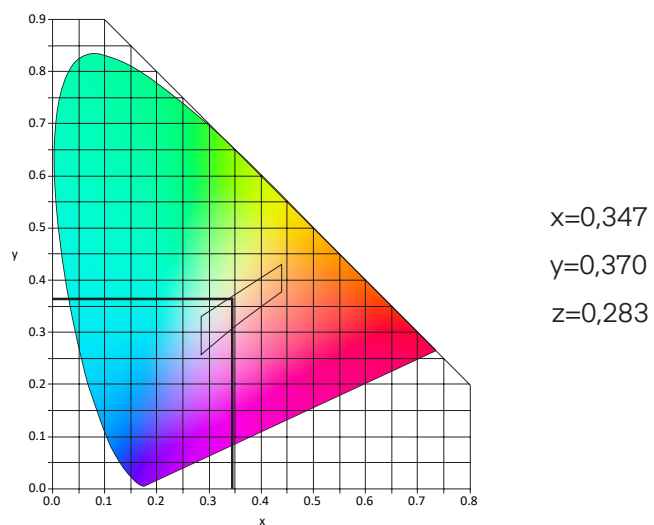
Vertical elevation angle	0°	3°	10°	20°	25°	30°
Required minimum intensity [cd]	10	100	100	100	50	10
Measured minimum intensity [cd]	40.3	104	158	209	223	196



**The brightness intensity values complies with :**

ICAO requirements Annex 14 Vol.2 fig.5-11/6

**The light colour emitted by the light fixture is white, with the trichromatic coordinates:**



**The measured trichromatic coordinates correspond to colour range requirements in:**

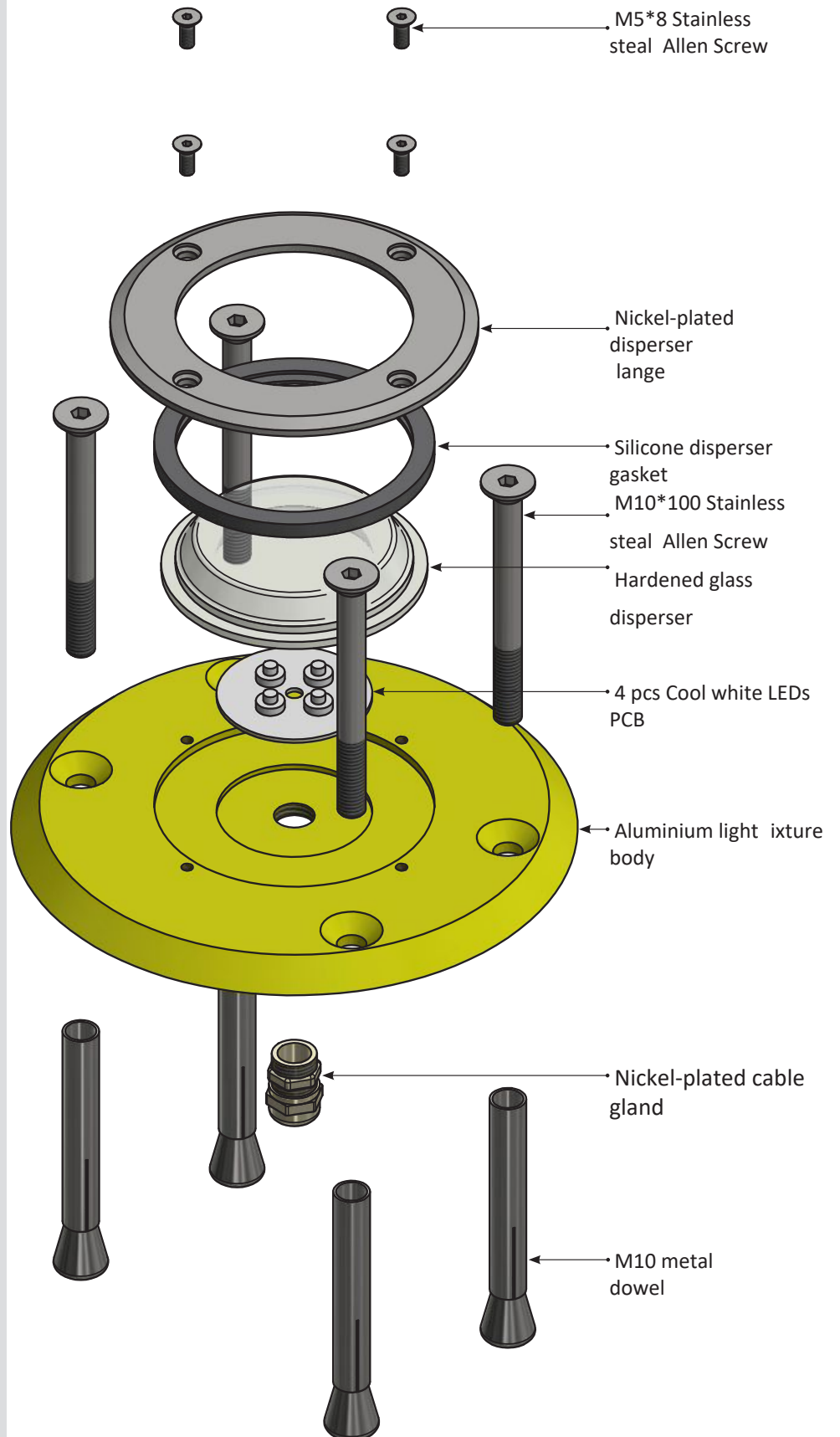
ICAO Annex 14 - Aerodromes Vol.1, fig. A1-1-1b.

Colours for aeronautical ground lights (solid state lighting)

**Accessory**

To order accessories please call our customer support.  
For contact details please refer to our website - [www.signalight.com](http://www.signalight.com)

Spare Parts





**Signalight**

**+40 254 515 465**  
**office@signalight.com**

36 Lunca Street, Petrosani,  
Hunedoara County, Romania

**[www.signalight.com](http://www.signalight.com)**