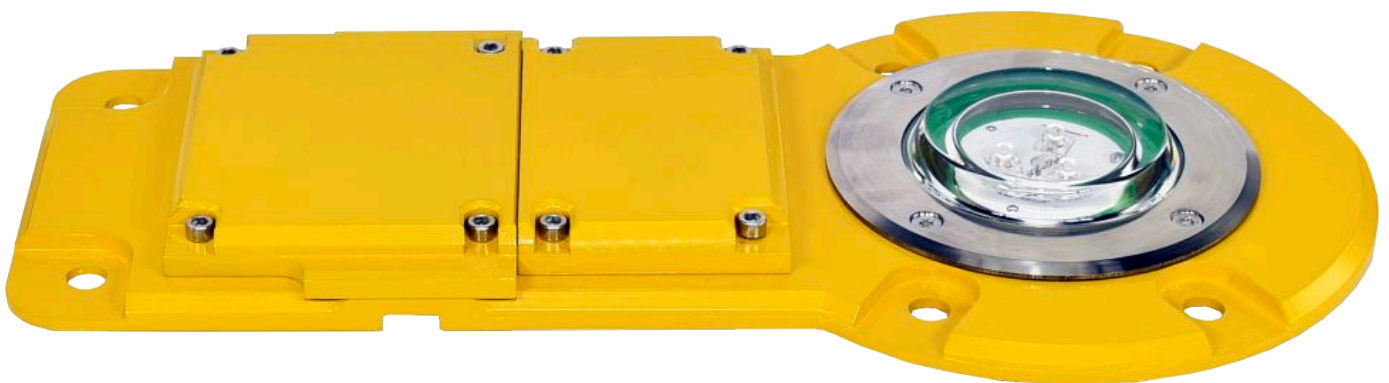
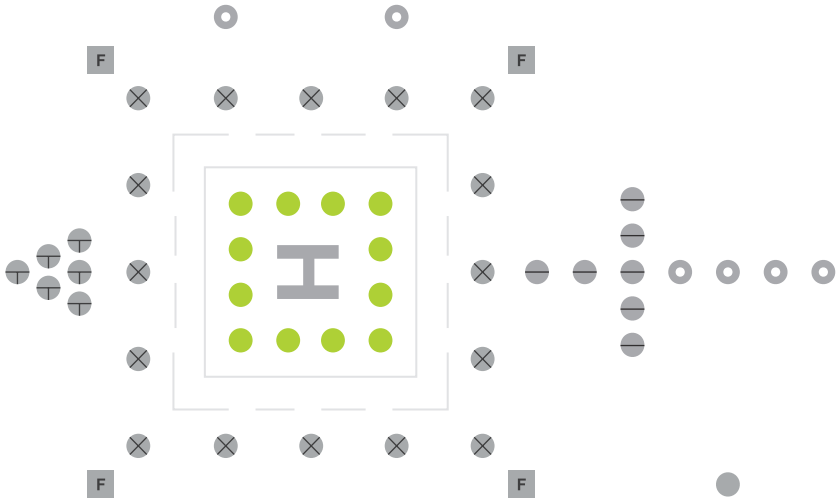



# Flat TLOF - FD

Touchdown and Lift Off Area Perimeter



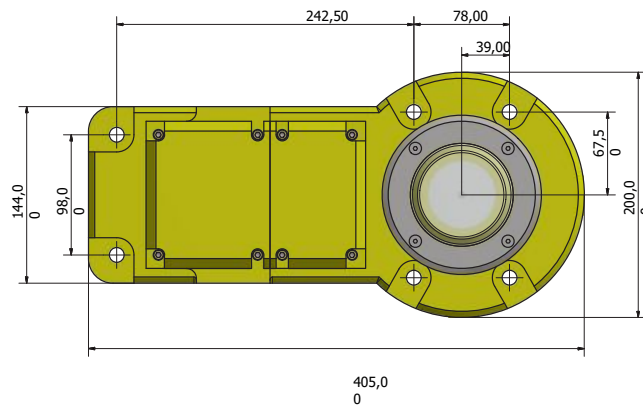
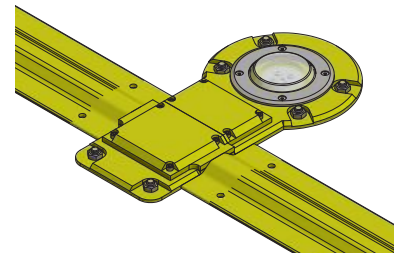
Constructive variant for metal platforms

<p><b>Compliance to standards</b></p>	<p><b>ICAO:</b> Annex 14, Volume I - Aerodrome Design and Operations Annex 14, Volume II - Heliports</p> <p><b>IEC TS 61827:</b> Electrical installations for lighting and beaconing of aerodromes. Characteristics of inset and elevated luminaires used on aerodromes and heliports</p>
<p><b>Application</b></p>	<p>TLOF lights (Touchdown and Lift Off Area Perimeter)</p>  <p> <span>⊕ Aiming Point Lights</span>                <span>⊗ FATO Lights</span>                <span>■ Floodlights</span>                <span>○ Approach Lights</span>  <span>● Taxiway Lights</span>                <span>● TLOF Lights</span>                <span>⊖ Approach</span>                <span>● Beacon Light</span> </p>
<p><b>Features</b></p>	<p>Designed and built with simplicity and ease of maintenance in mind. High power LED technology. Lightweight, low-energy and environment friendly lighting fitting. Extensive use of aluminium alloys reduces fitting weight and eases handling in the field.</p>

<p><b>Product Code</b></p>	<p><b>AL - 073 - 03 - GR - FD</b></p> <p>Series Indicator (Airfield Lighting) <b>AL</b>                  Product Indicator <b>073</b>                  LEDs Number (3 LEDs) <b>03</b>                  LEDs Light Colour (green) <b>GR</b>                  Indicative for surface mounting fixture <b>FD</b></p>
<p><b>Description</b></p>	<p><b>Housing</b> - Powder coated aluminium RAL 1004 (aviation yellow)   <b>Dispenser</b> - hardened glass  <b>Dispenser flange</b> - nickel plated ring  <b>Cable gland</b> - nickel plated brass  <b>Fasteners</b> - stainless steel</p> <p>Light fixtures are provided with anti condensation valve.                  Light fixtures are UV protected.</p>
<p><b>Environment</b></p>	<p><b>Temperature range:</b> - 55<sup>0</sup> to +55<sup>0</sup>  <b>Degree of protection:</b> IP X8  <b>Ka tested:</b> Salt mist in accordance with IEC 60068-2-11 and IEC 60068-2-25</p>
<p><b>Mounting</b></p>	<p>Light fixtures are designed to be mounted on any hard flat surface, such as:</p> <ul style="list-style-type: none"> <li>• concrete</li> <li>• asphalt</li> <li>• metallic structures</li> </ul>

**Mechanical Characteristics**

**Length/Width :** 200 mm  
**Height:** 23,5 mm  
**Weight:** 2.5 kg



Installation of lighting fixture and cable protection:

- with M10 welded bolts on the metallic platform
- with M10 threaded holes in the metal platform

**Electrical Characteristics**

**Power consumption** 6W  
**Power supply** 48V DC from controller - dimmable : 100% ,30%, 10%  
 90-230V, 50/60Hz - non dimmable

**Types of power supply :**

- 48V DC power supply from controller with 3 core cable  
**V+** (brown)  
**V-** (blue)  
**Dimming** (green/yellow)
- 230V AC directly from mains power supply  
**Live** (brown)  
**Neutral** (blue)  
**Ground** (green/yellow)

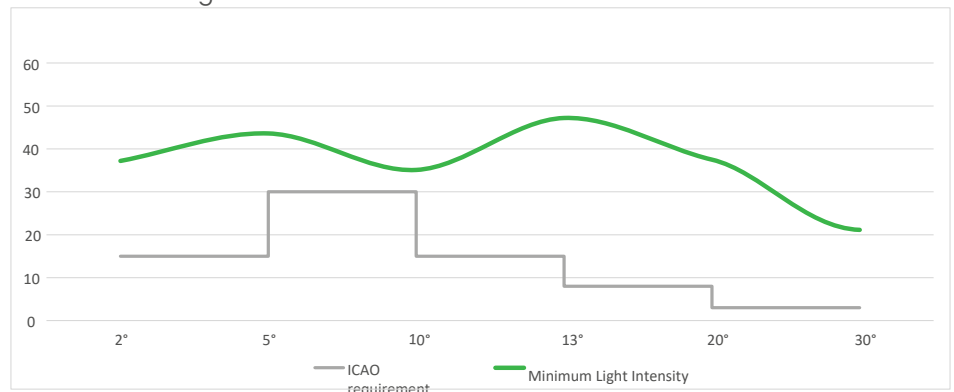
The light fixtures will be provided with sufficient length cable, which will be laid through a channel outside the heliport area, where it will be electrically connected using an IP65-rated junction box.  
 The power cable will be protected by an aluminium profile with a weight of 2.2kg/m.

Photometric Characteristics

**Intensity level:** 100%, 30%, 10% with controller in 48VDC  
**Horizontal output:** 360°  
**Light colour:** Green light

Vertical elevation angle	2°-5°	5°-10°	10°-13°	13°-20°	20°-90°
Required minimum intensity [cd]	15	30	15	8	3
Measured minimum intensity [cd]	37.2	43.6	35	47.2	37.5

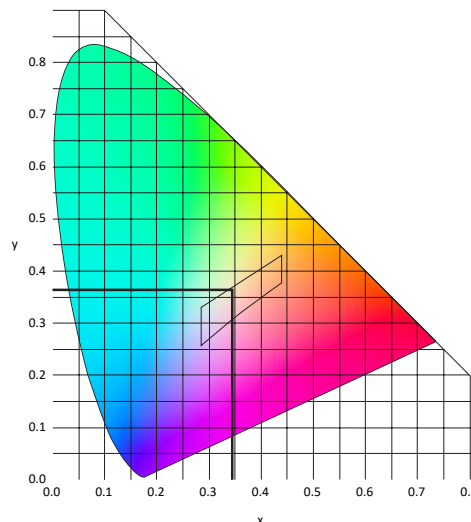
Inset - HELY - TLOF vertical light distribution - green light



**The brightness intensity values complies with :**

ICAO requirements Annex 14 Vol.2 ig.5-11/6

**The light colour emitted by the light fixture is green, with the trichromatic coordinates:**



x=0,347  
y=0,370  
z=0,283

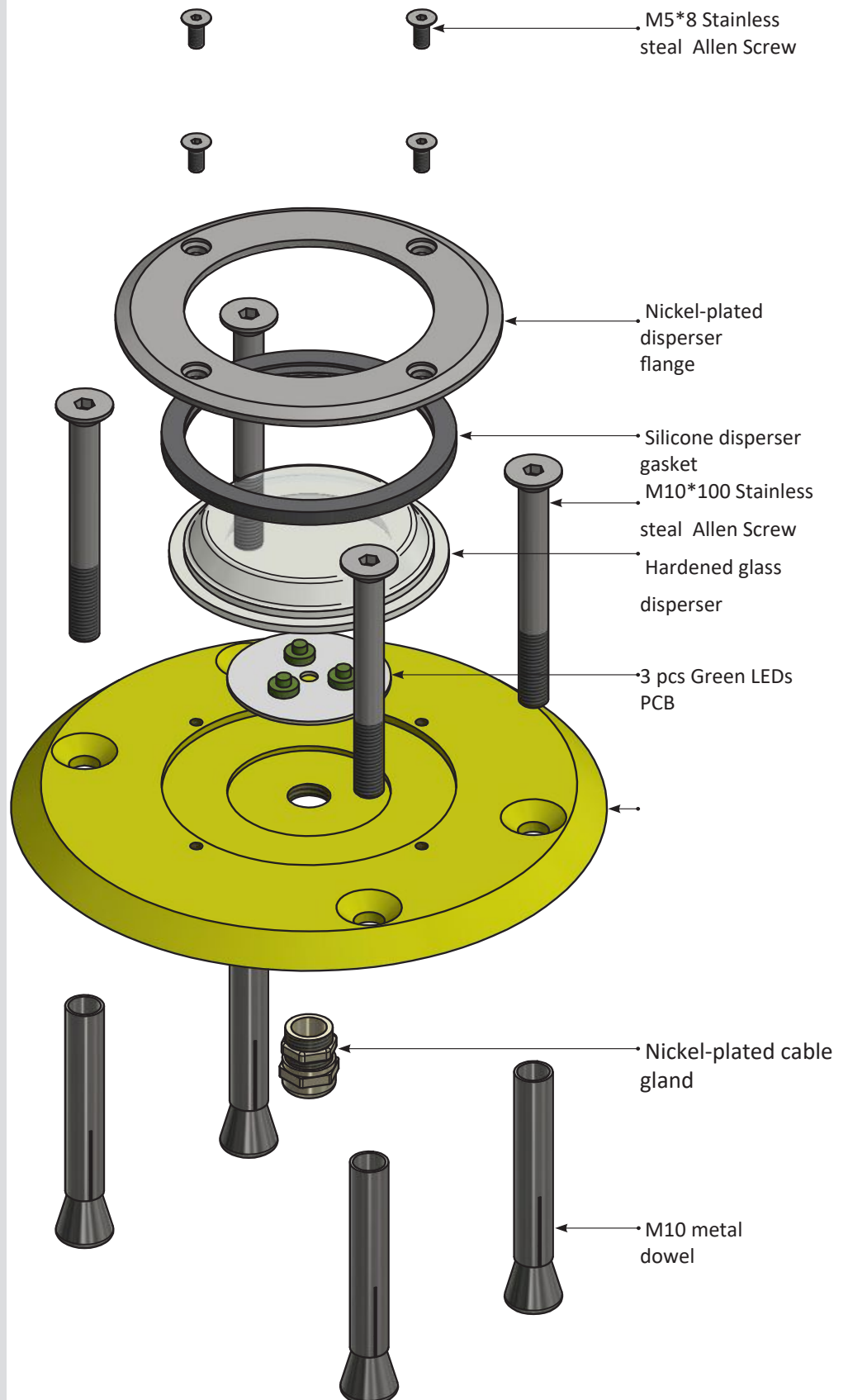
**The measured trichromatic coordinates correspond to colour range requirements in:**

ICAO Annex 14 - Aerodromes Vol.1, fig. A1-1-1b.  
Colours for aeronautical ground lights (solid state lighting)

**Accessory**

To order accessories please call our customer support.  
For contact details please refer to our website - [www.signalight.com](http://www.signalight.com)

Spare Parts





**Signalight**

**+40 254 515 465**  
**office@signalight.com**

36 Lunca Street, Petrosani,  
Hunedoara County, Romania

**[www.signalight.com](http://www.signalight.com)**