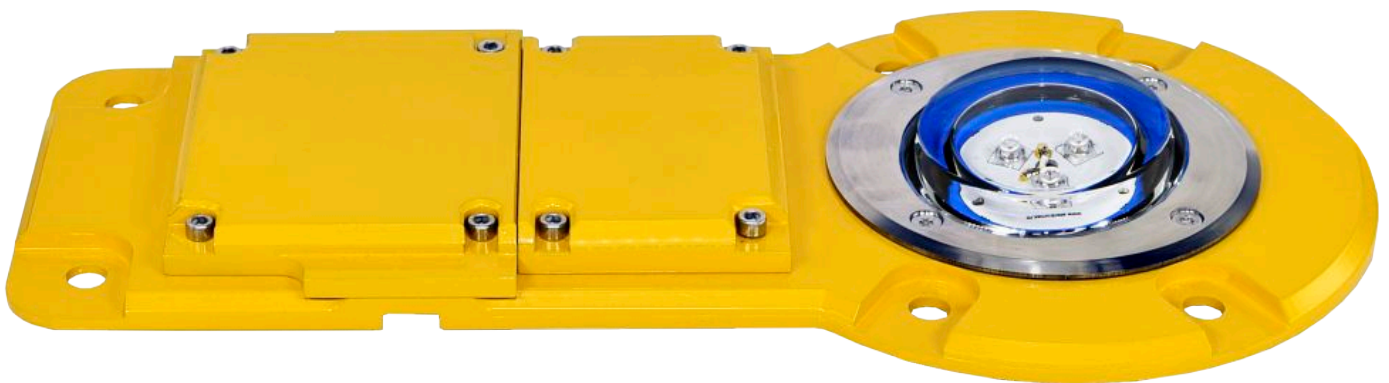
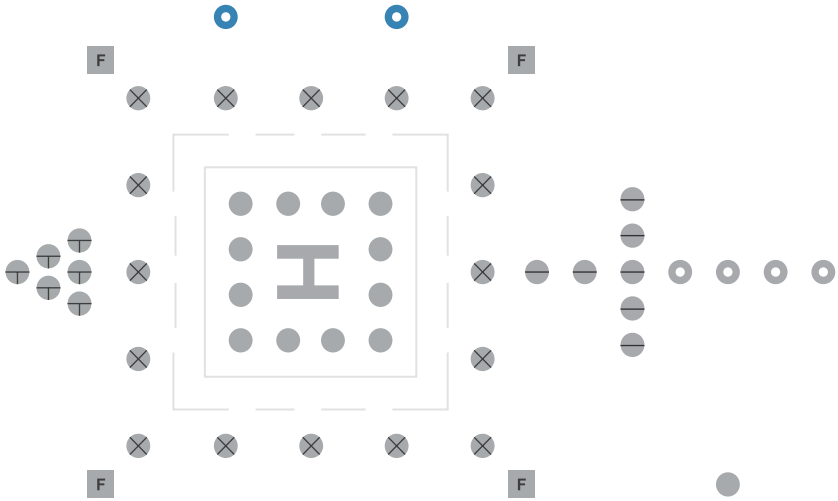



# Flat TAXI - FD

Taxiway lights



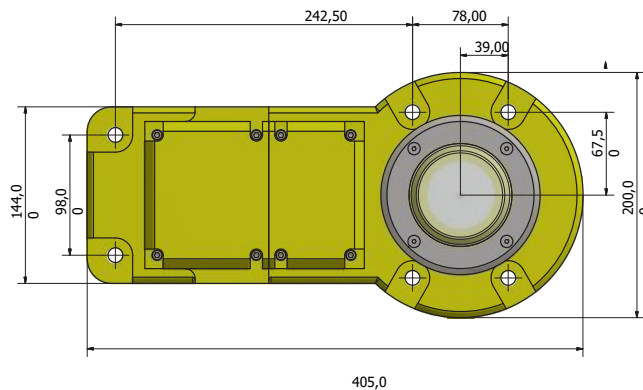
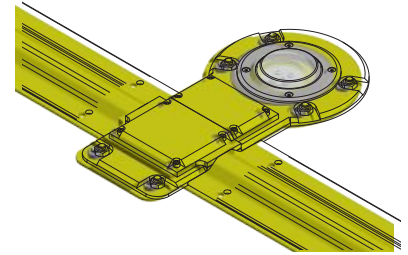
Constructive variant for metal platforms

<p><b>Compliance to standards</b></p>	<p><b>ICAO:</b> Annex 14, Volume I - Aerodrome Design and Operations Annex 14, Volume II - Heliports</p> <p><b>IEC TS 61827:</b> Electrical installations for lighting and beaconing of aerodromes. Characteristics of inset and elevated luminaires used on aerodromes and heliports</p>
<p><b>Application</b></p>	<p>Taxiway lights</p>  <p>The diagram illustrates a heliport lighting layout. At the center is a square area containing a large 'H' symbol, representing the Helicopter Landing Area (HLA). This area is surrounded by a grid of lights. To the left and right of the HLA are taxiway lights, represented by 'X' marks. At the top and bottom of the HLA are aiming point lights, represented by circles with a crosshair. Four floodlights, represented by squares with 'F', are positioned around the HLA. To the right of the HLA is a series of approach lights, represented by circles with a horizontal line through them. A single beacon light, represented by a solid circle, is located at the bottom right of the layout.</p> <ul style="list-style-type: none"> <li>⊕ Aiming Point Lights</li> <li>⊗ FATO Lights</li> <li>Ⓛ Floodlights</li> <li>⊙ Approach Lights</li> <li>● Taxiway Lights</li> <li>● TLOF Lights</li> <li>⊖ Approach</li> <li>● Beacon Light</li> </ul>
<p><b>Features</b></p>	<p>Designed and built with simplicity and ease of maintenance in mind. High power LED technology. Lightweight, low-energy and environment friendly lighting fitting. Extensive use of aluminium alloys reduces fitting weight and eases handling in the field.</p>

<p><b>Product Code</b></p>	<p><b>AL - 072 - 03 - BL - FD</b></p> <p>Series Indicator (Airfield Lighting) <b>AL</b>                  Product Indicator <b>072</b>                  LEDs Number (3 LEDs) <b>03</b>                  LEDs Light Colour (blue) <b>BL</b>                  Indicative for surface mounting fixture <b>FD</b></p>
<p><b>Description</b></p>	<p><b>Housing</b> - Powder coated aluminium RAL 1004 (aviation yellow)   <b>Dispenser</b> - hardened glass  <b>Dispenser flange</b> - nickel plated ring  <b>Cable gland</b> - nickel plated brass  <b>Fasteners</b> - stainless steel</p> <p>Light fixtures are provided with anti condensation valve.                  Light fixtures are UV protected.</p>
<p><b>Environment</b></p>	<p><b>Temperature range:</b> - 55<sup>o</sup> to +55<sup>o</sup>  <b>Degree of protection:</b> IP X8  <b>Ka tested:</b> Salt mist in accordance with IEC 60068-2-11 and IEC 60068-2-25</p>
<p><b>Mounting</b></p>	<p>Light fixtures are designed to be mounted on any hard flat surface, such as:</p> <ul style="list-style-type: none"> <li>• concrete</li> <li>• asphalt</li> <li>• metallic structures</li> </ul>

**Mechanical Characteristics**

**Length / Width:** 405 mm / 200 mm  
**Height:** 23.5  
**Weight:** 2.5 kg



- Installation of lighting fixture and cable protection:
- with M10 welded bolts on the metallic platform
  - with M10 threaded holes in the metal platform

**Electrical Characteristics**

**Power consumption** 6W  
**Power supply** 48V DC from controller - dimmable : 100% ,30%, 10%  
 90-230V, 50/60Hz - non dimmable

**Types of power supply :**

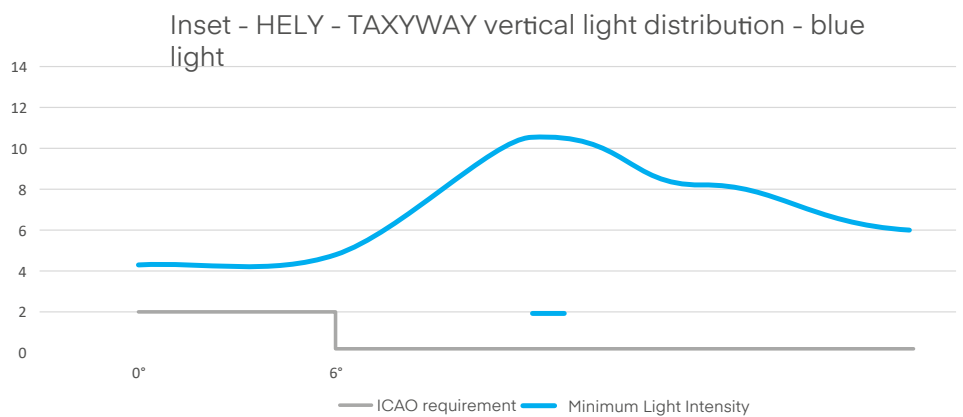
- 48V DC power supply from controller with 3 core cable
  - V+** (brown)
  - V-** (blue)
  - Dimming** (green/yellow)
- 230V AC directly from mains power supply
  - Live** (brown)
  - Neutral** (blue)
  - Ground** (green/yellow)

The light fixtures will be provided with sufficient length cable, which will be laid through a channel outside the heliport area, where it will be electrically con-nected using an IP65-rated junction box. The power cable will be protected by an aluminium profile with a weight of 2.2kg/m.

Photometric Characteristics

**Intensity level:** 100%, 30%, 10% with controller in 48VDC  
**Horizontal output:** 360°  
**Light colour:** Blue light

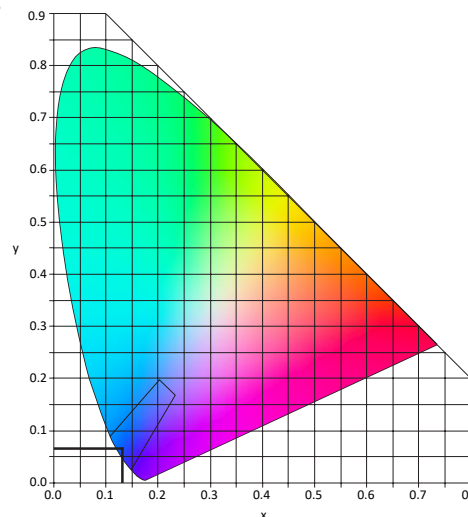
Vertical elevation angle	0°-6°	>6°
Required minimum intensity [cd]	2	0.2
Measured minimum intensity [cd]	4.3	10.6



**The brightness intensity values complies with :**

ICAO requirements Annex 14 Vol.2 fig.5-11/6

**The light colour emitted by the light fixture is blue, with the trichromatic coordinates:**



x=0,135  
y=0,056  
z=0,809

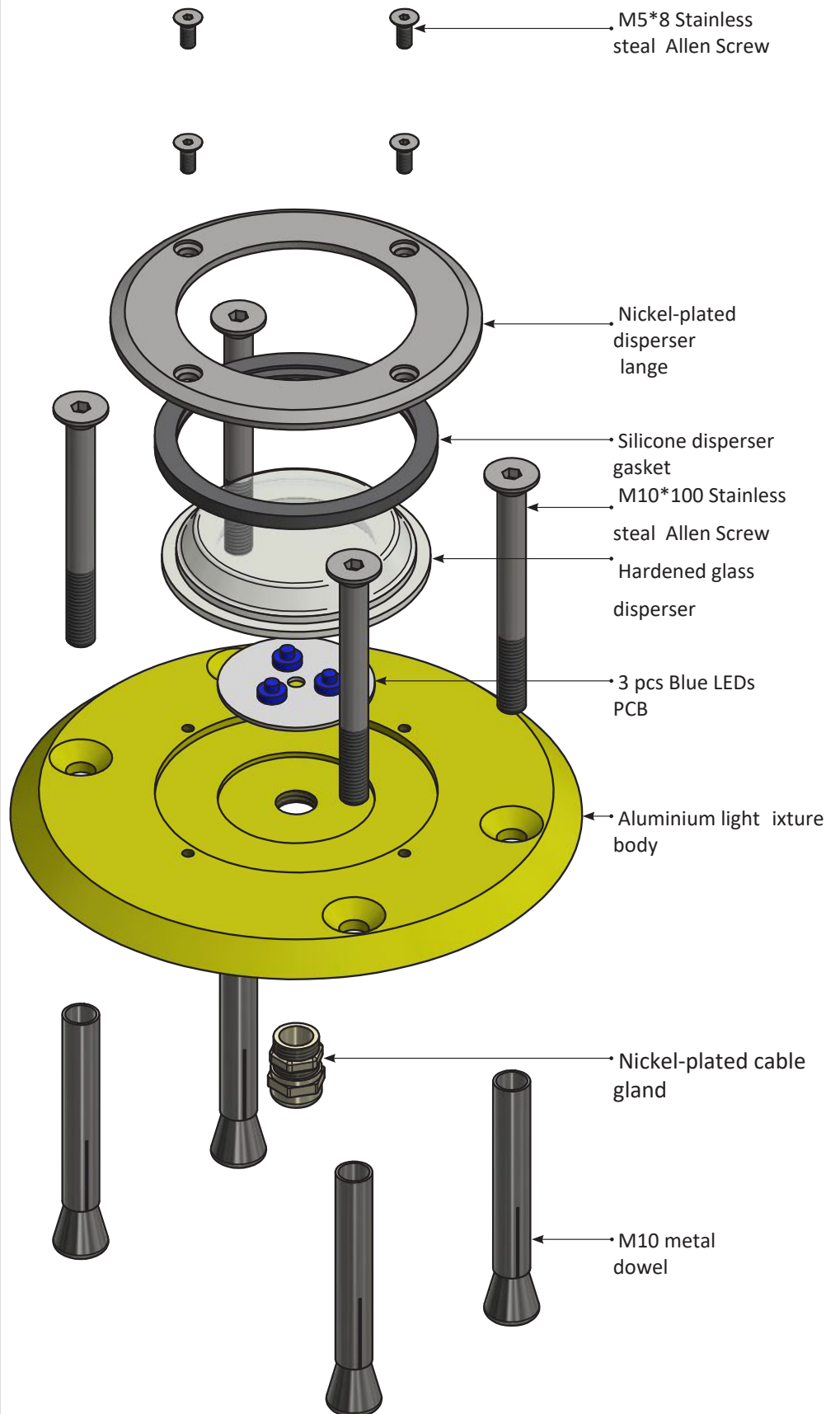
**The measured trichromatic coordinates correspond to colour range requirements in:**

ICAO Annex 14 - Aerodromes Vol.1, fig. A1-1-1b.  
Colours for aeronautical ground lights (solid state lighting)

**Accessory**

To order accessories please call our customer support.  
For contact details please refer to our website - [www.signalight.com](http://www.signalight.com)

Spare Parts





**Signalight**

**+40 254 515 465**  
**office@signalight.com**

36 Lunca Street, Petrosani,  
Hunedoara County, Romania

**[www.signalight.com](http://www.signalight.com)**