



# QUASAR

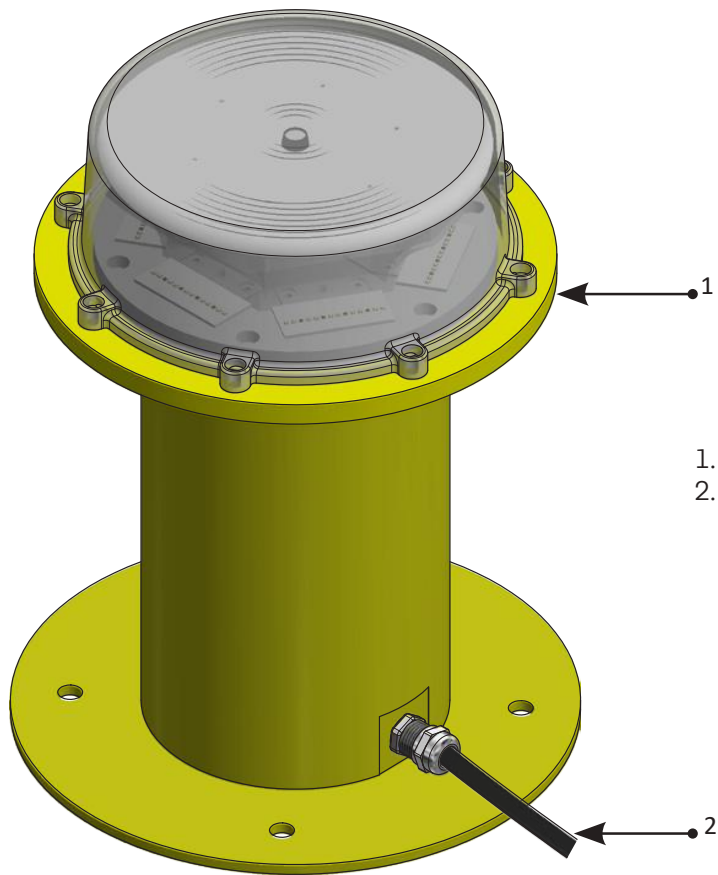


<b>Compliance to standards</b>	<p><b>ICAO:</b> International Civil Aviation Organization, Aerodromes, Annex 14, Vol. 1 - Aerodrome Design and Operations, Paragraph 6</p> <p><b>Romania CAA</b> (Romanian Civil Aeronautical Authority): -Type B - No. 9525 from 10.04.2017 -Type C - No. 5836 from 10.04.2017</p>
<b>Application</b>	<p>Marking of aerial obstacles, such as: towers, buildings, antennas</p>
<b>Features</b>	<p>Designed and built with simplicity and ease of maintenance in mind. High power LED technology in 100000 hours estimated lifetime. Lightweight, low-energy and environment friendly lighting fitting. Extensive use of aluminium alloys reduces fitting weight and eases handling in the field.</p>
<b>Product Code</b>	<p><b>AL - OBS - 20 - XXX</b></p> <p>Series Indicator (Airfield Lighting) <b>AL</b> Category (Obstruction Lighting) <b>OBS</b> Product Indicator <b>20</b> Power Supply <b>XXX</b></p> <p><b>230</b> - Power Supply: 100-230 VAC <b>048</b> - Power Supply: 48 VDC <b>024</b> - Power Supply: 24 VDC <b>012</b> - Power Supply: 12 VDC</p>

<p><b>Description</b></p>	<p><b>Housing</b> - Powder coated aluminium RAL 1004 (aviation yellow)  <b>Dispenser</b> - clear polycarbonate  <b>Cable gland</b> - nickel plated brass  <b>Fasteners</b> - stainless steel</p> <p>Light fixtures are provided with anti condensation valve.</p> 
<p><b>Environment</b></p>	<p><b>Temperature range:</b> - 55° to +55°  <b>Degree of protection:</b> IP 67</p>
<p><b>Mounting</b></p>	<p>Horizontal flat surface</p> 

**Electrical Characteristics**

	Type A	Type B	Type C	Type A/C
Max power	220W	35W	35 W	220 W
Max power consumption	110Wh	15Wh	35Wh	110Wh/35Wh
Power supply	Power Supply: 100-230 V AC Power Supply: 48 V DC; 24 V DC; 12 V DC			



- 1. Light Flixture
- 2. Cable 2m

**Types of power supply:**

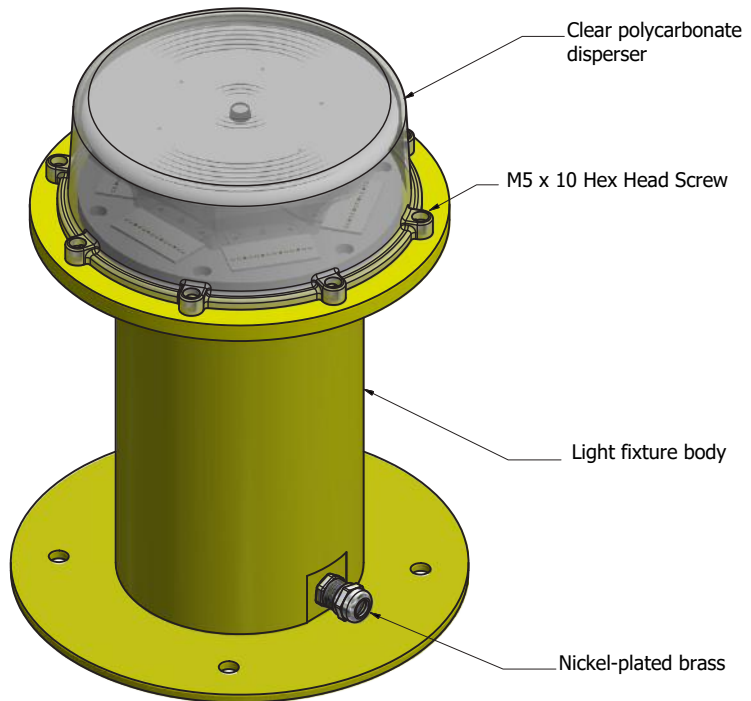
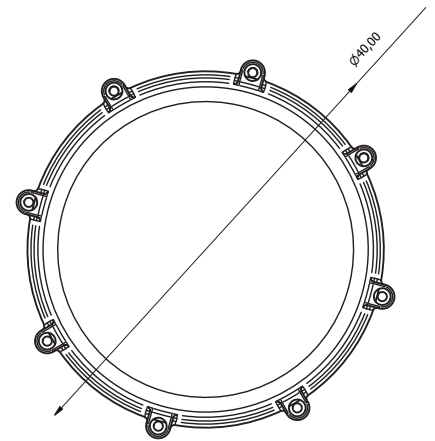
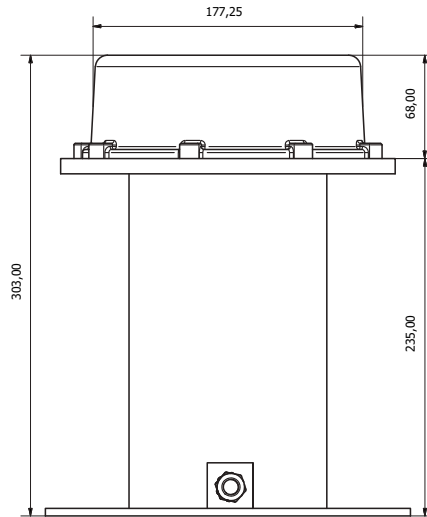
- Medium intensity obstruction light - Simple:
  - 230V AC** power supply - 3 core cable
  - 12V DC** power supply - 2 core cable
  - 24V DC** power supply - 2 core cable
  - 48V DC** power supply - 2 core cable

**Mechanical Characteristics**

**Diameter:** 240 mm

**Total height:** 303 mm

**Weight:** 6.4 kg

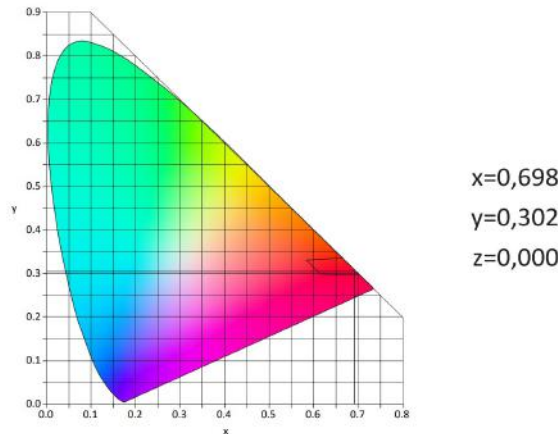


Photometric Characteristics

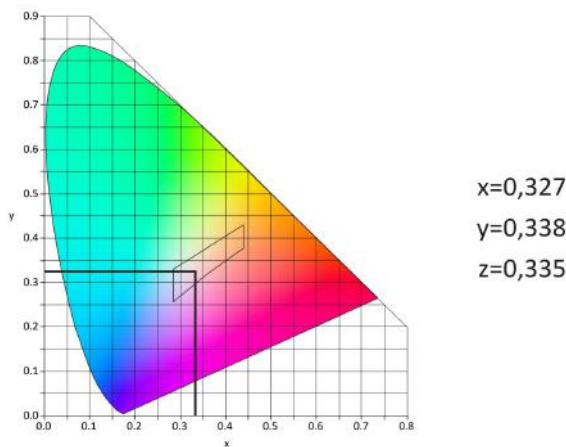
Tested Product	Light intensity [cd]			Light intensity [cd] Vertical elevation -1°		Vertical beam spread		Frequency	
	Prescribed	Measured		Prescribed	Measured	Prescribed	Measured	Prescribed	Measured
		max	min						
Type B	2000 ±25%	2478	1665	min 50% (1000 cd) max 75% (1500 cd)	1163	min 3°	3,11 <sup>0</sup>	20-60 fpm	50
Type C	2000 ±25%	2438	1670	min 50% (1000 cd) max 75% (1500 cd)	1189	min 3°	3,18 <sup>0</sup>	-	-

The brightness intensity values complies with:  
**ICAO requirements Annex 14 Vol.1 table.6-3**

Red light colour emitted by the light fixture, with the trichromatic coordinates:



White light colour emitted by the light fixture, with the trichromatic coordinates:



The measured trichromatic coordinates correspond to colour range requirements in:

**ICAO Annex 14 - Aerodromes Vol.1, fig, A1-1-1b.  
Colours for aeronautical ground lights (solid state lighting)**

## Photometric Characteristics

	Type A	Type B	Type C
CODE	AL-OBS-12-XXX	AL-OBS-13-XXX	AL-OBS-14-XXX
LIGHT COLOR	White	Red	Red
SIGNAL TYPE	Flashing	Flashing	Fixed
VERTICAL BEAM SPREAD	30°	30°	30°
PEAK INTENSITY	20 000 cd ± 25%	2 000 cd ± 25%	2 000 cd ± 25%
LEDs NUMBER	60	24	24
TWILIGHT SENSOR	Yes		

## Options

**GPS:** ensures the synchronization of flashing sequences between all obstruction lights.

**PHOTOCELL:** acts as a switch between day mode and night mode, depending on ambient light.



**Signalight**

**+40 254 515 465**  
**office@signalight.com**

36 Lunca Street, Petrosani,  
Hunedoara County, Romania

**[www.signalight.com](http://www.signalight.com)**