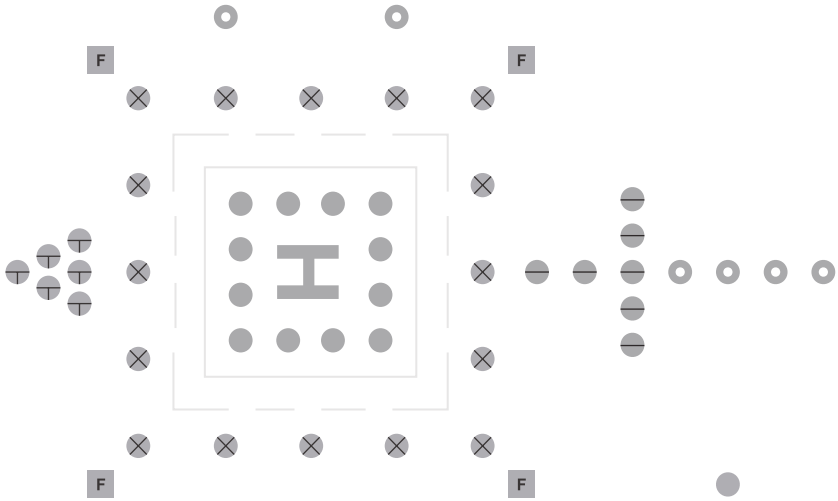






---

# INSET ALIGNMENT



|                                       |  |
|---------------------------------------|--|
| <p><b>Compliance to standards</b></p> | <p><b>ICAO:</b><br/>International Civil Aviation Organization, Aerodromes, Annex 14, Vol. 1</p> <p><b>ICAO:</b><br/>Annex 14, Volume II - Heliports</p> <p><b>IEC TS 61827:</b><br/>Electrical installations for lighting and beaconing of aerodromes.<br/>Characteristics of inset and elevated luminaires used on aerodromes and heliports</p>   |
| <p><b>Application</b></p>             | <p>Flight path alignment guidance lights</p>  <p> <span>⊕ Aiming Point Lights</span>                <span>⊗ FATO Lights</span>                <span>Ⓜ Floodlights</span>                <span>⦿ Approach Lights</span><br/> <span>⦿ Taxiway Lights</span>                <span>● TLOF Lights</span>                <span>⊖ Approach Lights</span>                <span>● Beacon Light</span> </p> |
| <p><b>Features</b></p>                | <p>Designed and built with simplicity and ease of maintenance in mind.<br/>High power LED technology in 100000 hours estimated lifetime.<br/>Lightweight, low-energy and environment friendly lighting fitting.<br/>Extensive use of aluminium alloys reduces fitting weight and eases handling in the field.</p>  |

|                            |   |
|----------------------------|---|
| <p><b>Product Code</b></p> | <p><b>AL - 089 - 03 - WH</b></p> <p>Series Indicator (Airfield Lighting) <b>AL</b><br/>                 Product Indicator <b>089</b><br/>                 LEDs Number <b>03</b><br/>                 LEDs Light Colour (white) <b>WH</b></p>  |
| <p><b>Description</b></p>  | <p><b>Housing</b> - Powder coated aluminium RAL 1004 (aviation yellow) </p> <p><b>Dispenser</b> - clear polycarbonate</p> <p><b>Dispenser flange</b> - nickel plated ring</p> <p><b>Cable gland</b> - nickel plated brass</p> <p><b>Fasteners</b> - stainless steel</p>  |
| <p><b>Environment</b></p>  | <p><b>Temperature range:</b> - 55° to +55°</p> <p><b>Degree of protection:</b> IP X8</p> <p><b>Ka tested:</b> Salt mist</p>   |
| <p><b>Mounting</b></p>     | <div style="display: flex; justify-content: space-around;"> <div style="text-align: center;"> <p>Ø160mm ElectroMax Shallow Base</p>  </div> <div style="text-align: center;"> <p>Ø8" IEC type Shallow Base with Adapter Ring</p>  </div> <div style="text-align: center;"> <p>Mounted on Ø160mm Base</p>  </div> </div> |

**Electrical Characteristics**

**Power consumption:** 6W

**Power supply:** 48V DC from controller - dimmable: 100%, 30%, 10%  
 0-230V, 50/60HZ - non dimmable  
 1.4A CC - dimmable: 100%, 30%, 10%(internal bypass + SPD)

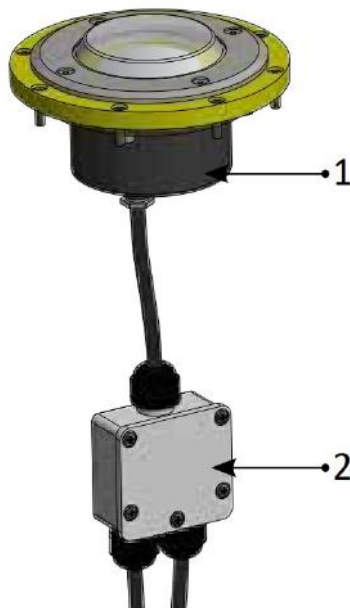
**Electrical Connections**

1.Light Flixture pre cabled with 0,5m cable

**Code:AL-089-03-WH**

2.IP68 Electrical Junction Box

**Code:AL-107-AX**



**Types of power supply:**

-48V DC power supply from controller with 3 core cable

**V+** (brown)

**V-** (blue)

**Dimming** (green/yellow)

-230V AC directly from mains power supply

**Live** (brown)

**Neutral** (blue)

**Ground** (green/yellow)

-1.4A CC power supply from controller with 2 core cable

**V+** (red mark)

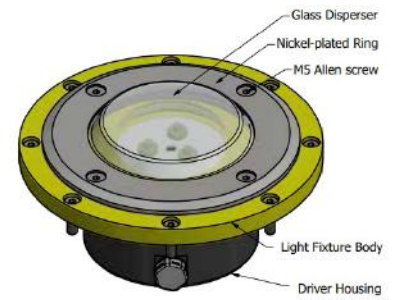
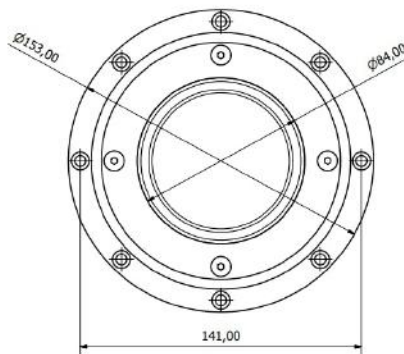
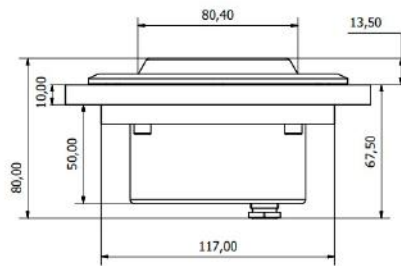
**V-** (blue mark)

**Mechanical Characteristics**

**Diameter:** 153 mm

**Total height:** 80 mm

**Weight:** 1.5 kg



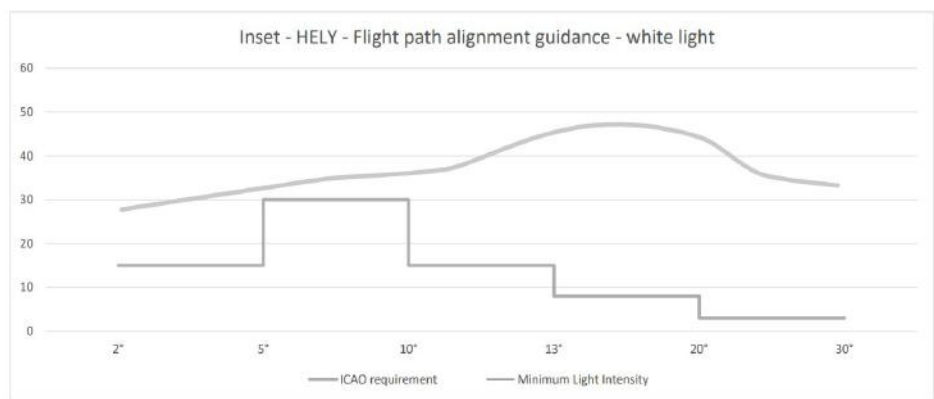
Photometric Characteristics

**Intensity level:** 100%, 30%, 10% version powered in 48 VDC or 1.4A CC

**Horizontal output:** 360°

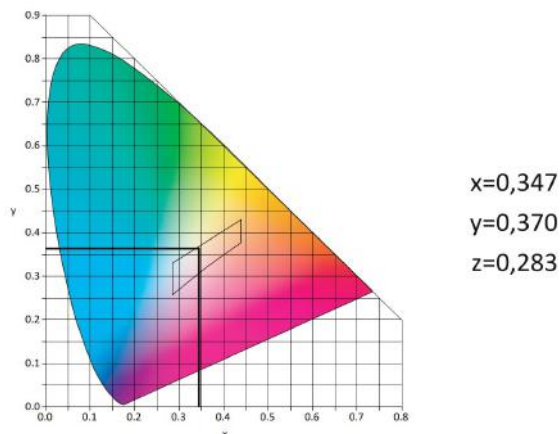
**Light colour:** White light

| Vertical elevation angle        | 2°-5° | 5°-10° | 10°-13° | 13°-20° | 20°-90° |
|---------------------------------|-------|--------|---------|---------|---------|
| Required minimum intensity [cd] | 15    | 30     | 15      | 8       | 3       |
| Measured minimum intensity [cd] | 28.5  | 31.5   | 36.5    | 47      | 30.9    |



The brightness intensity values complies with:  
**ICAO requirements Annex 14 Vol.2 fig. 5-11/6**

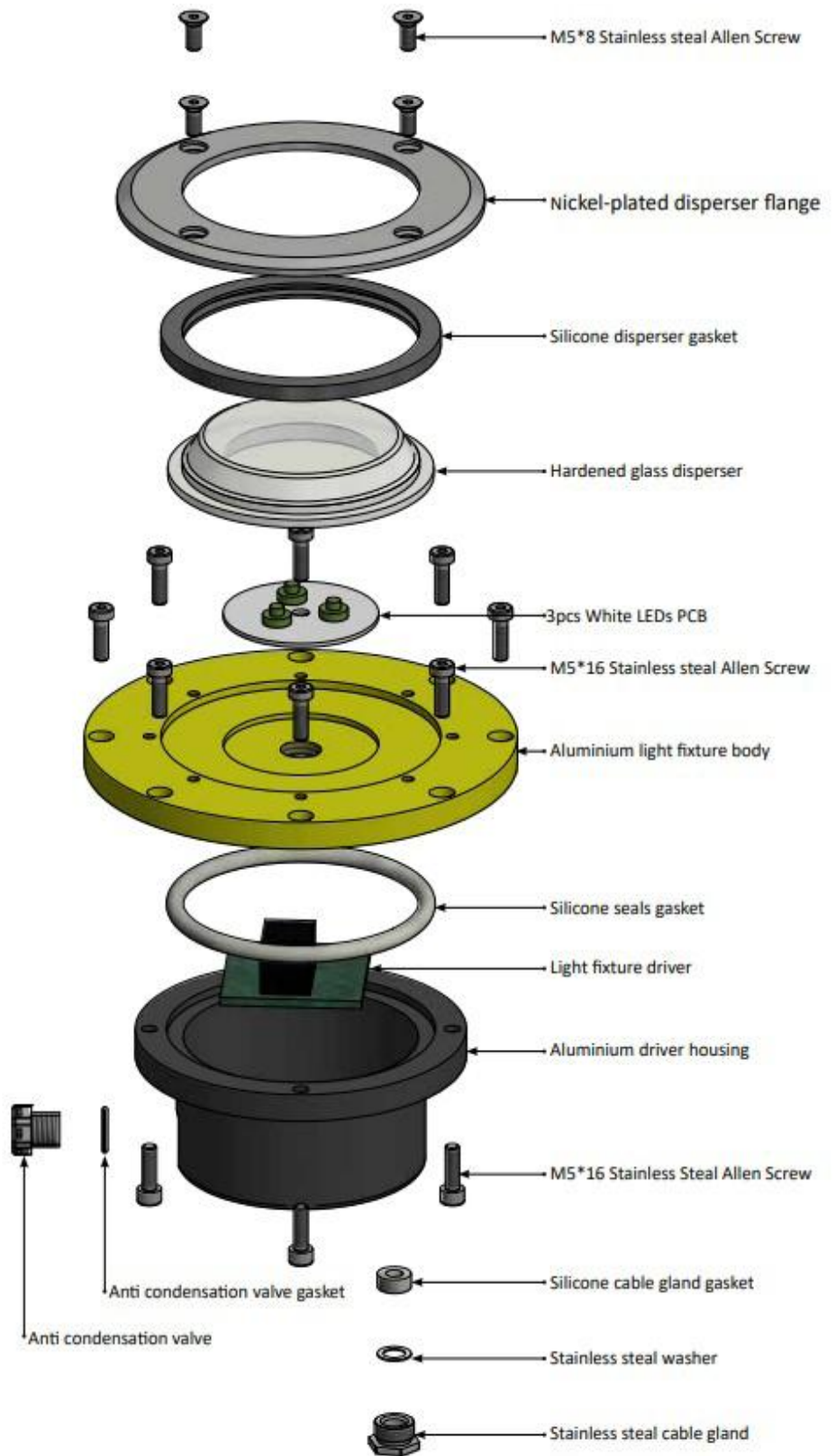
The light colour emitted by the light fixture is blue, with the trichromatics coordinates:



The measured trichroamtic coordinates correspond to colour range requirements in:






**ICAO Annex 14 - Aerodromes Vol.1, fig, A1-1-1b.  
 Colours for aeronautical ground lights (solid state lighting)**

**Spare  
Parts**



**Accessory**

To order accessories please call our customer support.  
 For contact details please refer to our website - [www.signalight.com](http://www.signalight.com)

| # | NAME - SERIES                                 | PRODUCT CODE | IMAGE   |
|---|---|--------------|---|
| 1 | ElectroMax Standard $\Phi$ 160mm Shallow Base | AL-104-AX    |                      |
| 2 | Adapter Ring for 8" Shallow Base              | AL-105-AX    |  |
| 3 | $\Phi$ 160mm Surface Mounted Base             | AL-106-AX    |                     |
| 4 | IP68 Electrical Junction Box                  | AL-107-AX    |                    |
| 5 | $\Phi$ 160mm Shallow Base Installation Jig    | AL-108-AX    |                    |





**Signalight**

**+40 254 515 465**  
**office@signalight.com**

36 Lunca Street, Petrosani,  
Hunedoara County, Romania

**[www.signalight.com](http://www.signalight.com)**