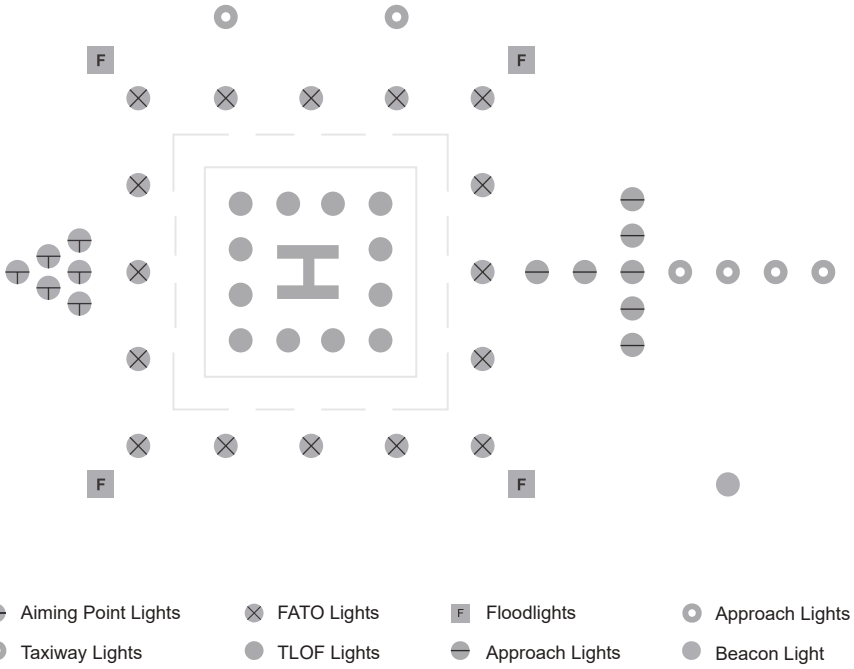






---

# INSET ALIGNMENT



<p><b>Compliance to standards</b></p>	<p><b>ICAO:</b> International Civil Aviation Organization, Aerodromes, Annex 14, Vol. 1</p> <p><b>ICAO:</b> Annex 14, Volume II - Heliports</p> <p><b>IEC TS 61827:</b> Electrical installations for lighting and beaconing of aerodromes. Characteristics of inset and elevated luminaires used on aerodromes and heliports</p>
<p><b>Application</b></p>	<p>Flight path alignment guidance lights</p> 
<p><b>Features</b></p>	<p>Designed and built with simplicity and ease of maintenance in mind. High power LED technology in 100000 hours estimated lifetime. Lightweight, low-energy and environment friendly lighting fitting. Extensive use of aluminium alloys reduces fitting weight and eases handling in the field.</p>

<p><b>Product Code</b></p>	<p><b>AL - 089 - 03 - WH</b></p> <p>Series Indicator (Airfield Lighting) <b>AL</b>                  Product Indicator <b>089</b>                  LEDs Number <b>03</b>                  LEDs Light Colour (white) <b>WH</b></p>
<p><b>Description</b></p>	<p><b>Housing</b> - Powder coated aluminium RAL 1004 (aviation yellow) </p> <p><b>Dispenser</b> - clear polycarbonate  <b>Dispenser flange</b> - nickel plated ring  <b>Cable gland</b> - nickel plated brass  <b>Fasteners</b> - stainless steel</p>
<p><b>Environment</b></p>	<p><b>Temperature range:</b> - 55° to +55°  <b>Degree of protection:</b> IP X8  <b>Ka tested:</b> Salt mist</p>
<p><b>Mounting</b></p>	<div style="display: flex; justify-content: space-around;"> <div data-bbox="513 1559 833 1854"> <p>Ø160mm ElectroMax Shallow Base</p>  </div> <div data-bbox="837 1559 1157 1854"> <p>Ø8" IEC type Shallow Base with Adapter Ring</p>  </div> <div data-bbox="1161 1559 1481 1854"> <p>Mounted on Ø160mm Base</p>  </div> </div>

**Electrical Characteristics**

**Power consumption:** 6W

**Power supply:** 48V DC from controller - dimmable: 100%, 30%, 10%  
 0-230V, 50/60HZ - non dimmable  
 1.4A CC - dimmable: 100%, 30%, 10%(internal bypass + SPD)

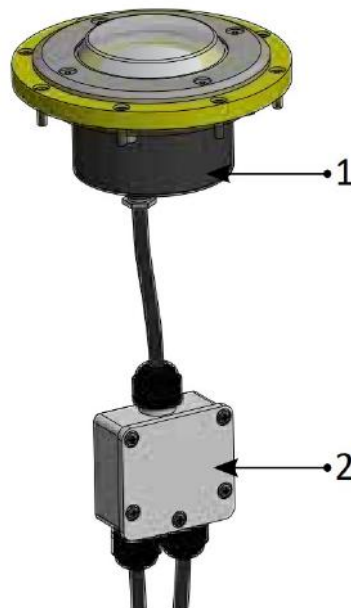
**Electrical Connections**

1.Light Flixture pre cabled with 0,5m cable

**Code:AL-089-03-WH**

2.IP68 Electrical Junction Box

**Code:AL-107-AX**



**Types of power supply:**

-48V DC power supply from controller with 3 core cable

**V+** (brown)

**V-** (blue)

**Dimming** (green/yellow)

-230V AC directly from mains power supply

**Live** (brown)

**Neutral** (blue)

**Ground** (green/yellow)

-1.4A CC power supply from controller with 2 core cable

**V+** (red mark)

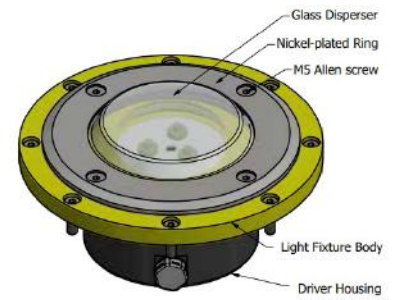
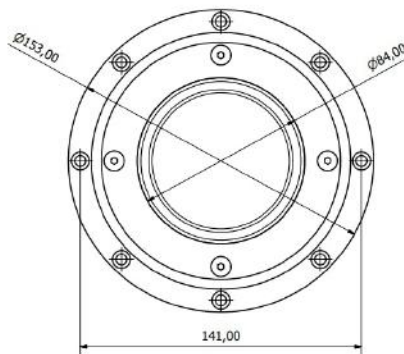
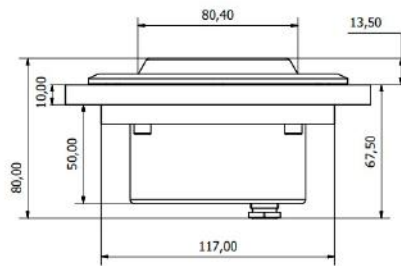
**V-** (blue mark)

**Mechanical Characteristics**

**Diameter:** 153 mm

**Total height:** 80 mm

**Weight:** 1.5 kg



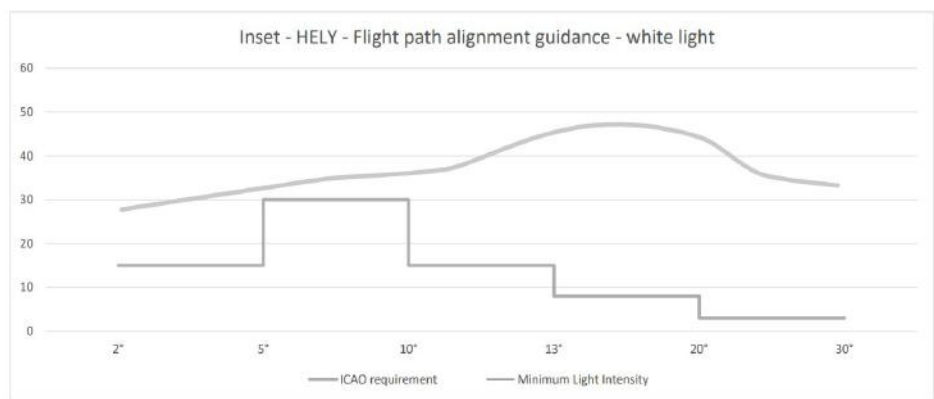
Photometric Characteristics

**Intensity level:** 100%, 30%, 10% version powered in 48 VDC or 1.4A CC

**Horizontal output:** 360°

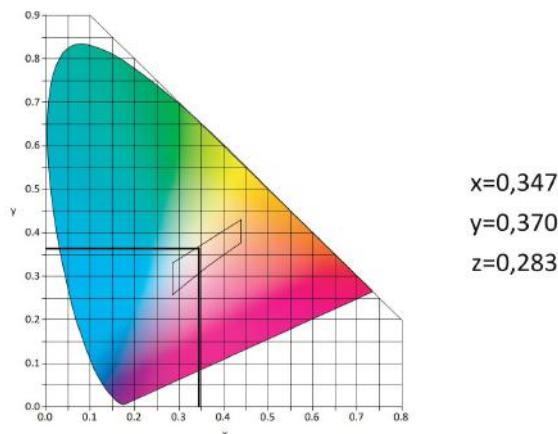
**Light colour:** White light

Vertical elevation angle	2°-5°	5°-10°	10°-13°	13°-20°	20°-90°
Required minimum intensity [cd]	15	30	15	8	3
Measured minimum intensity [cd]	28.5	31.5	36.5	47	30.9



The brightness intensity values complies with:  
**ICAO requirements Annex 14 Vol.2 fig. 5-11/6**

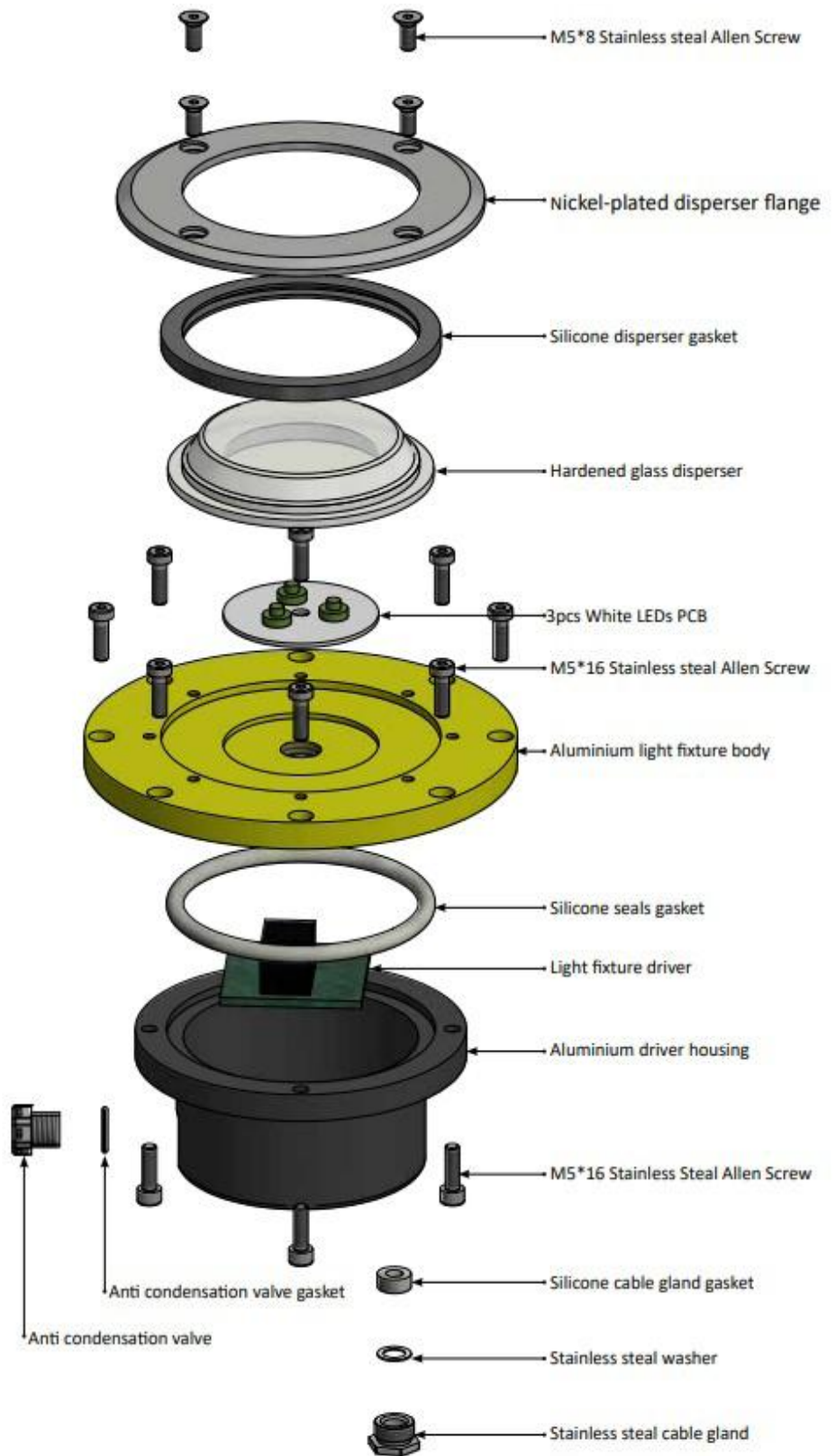
The light colour emitted by the light fixture is white, with the trichromatic coordinates:



The measured trichromatic coordinates correspond to colour range requirements in:






**ICAO Annex 14 - Aerodromes Vol.1, fig, A1-1-1b.**  
**Colours for aeronautical ground lights (solid state lighting)**

**Spare Parts**



**Accessory**

To order accessories please call our customer support.  
 For contact details please refer to our website - [www.signalight.com](http://www.signalight.com)

#	NAME - SERIES	PRODUCT CODE	IMAGE
1	ElectroMax Standard $\Phi$ 160mm Shallow Base	AL-104-AX	
2	Adapter Ring for 8" Shallow Base	AL-105-AX	
3	$\Phi$ 160mm Surface Mounted Base	AL-106-AX	
4	IP68 Electrical Junction Box	AL-107-AX	
5	$\Phi$ 160mm Shallow Base Installation Jig	AL-108-AX	





**Signalight**

**+40 254 515 465**  
**office@signalight.com**

36 Lunca Street, Petrosani,  
Hunedoara County, Romania

**[www.signalight.com](http://www.signalight.com)**