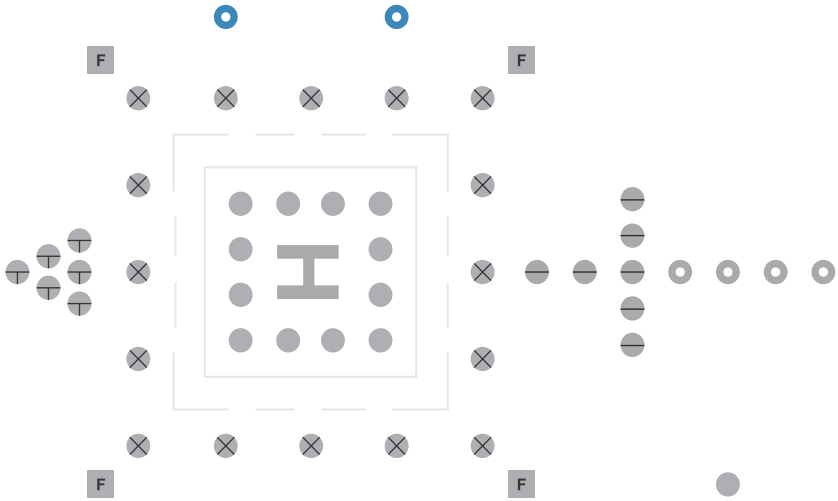



Flat TAXI

Taxiway lights

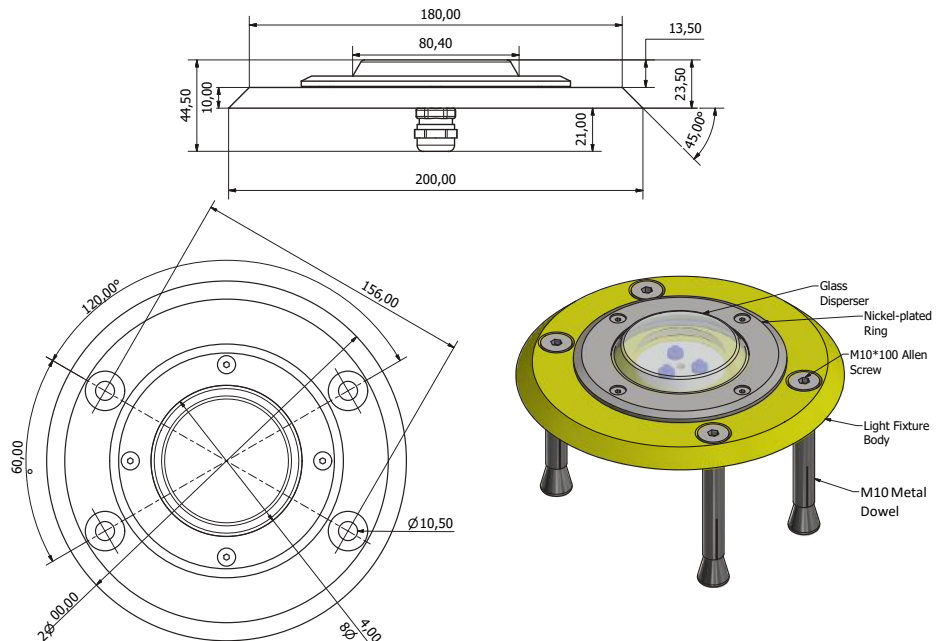


<p>Compliance to standards</p>	<p>ICAO: Annex 14, Volume I - Aerodrome Design and Operations Annex 14, Volume II - Heliports</p> <p>IEC TS 61827: Electrical installations for lighting and beaconing of aerodromes. Characteristics of inset and elevated luminaires used on aerodromes and heliports</p>
<p>Application</p>	<p>Taxiway lights</p>  <p> ⬆ Aiming Point Lights ⊗ FATO Lights Ⓜ Floodlights ○ Approach Lights ● Taxiway Lights ● TLOF Lights — Approach ● Beacon Light </p>
<p>Features</p>	<p>Designed and built with simplicity and ease of maintenance in mind. High power LED technology. Lightweight, low-energy and environment friendly lighting fitting. Extensive use of aluminium alloys reduces fitting weight and eases handling in the field.</p>

<p>Product Code</p>	<p>AL - 072 - 03 - AL - F</p> <p>Series Indicator (Airfield Lighting) AL Product Indicator 072 LEDs Number (3 LEDs) 03 LEDs Light Colour (blue) BL Indicative for surface mounting fixture F</p>
<p>Description</p>	<p>Housing - Powder coated aluminium RAL 1004 (aviation yellow)  Dispenser - hardened glass Dispenser flange - nickel plated ring Cable gland - nickel plated brass Fasteners - stainless steel</p> <p>Light fixtures are provided with anti condensation valve. Light fixtures are UV protected.</p>
<p>Environment</p>	<p>Temperature range: - 55⁰ to +55⁰ Degree of protection: IP X8 Ka tested: Salt mist in accordance with IEC 60068-2-11 and IEC 60068-2-25</p>
<p>Mounting</p>	<p>Light fixtures are designed to be mounted on any hard flat surface, such as:</p> <ul style="list-style-type: none"> • concrete • asphalt • metallic structures

Mechanical Characteristics

Diameter: 200 mm
Height: 23.5 mm without cable gland; 44.5 with cable gland
Weight: 1.5 kg



Electrical Characteristics

Power consumption 6W
Power supply 48V DC from controller - dimmable : 100% ,30%, 10%
 90-230V, 50/60Hz - non dimmable

1. Light Fixture pre cabled :
Code : AL-073-03-BL-F
2. IP68 Electrical Junction Box :
Code : AL-107-AX



Types of power supply :

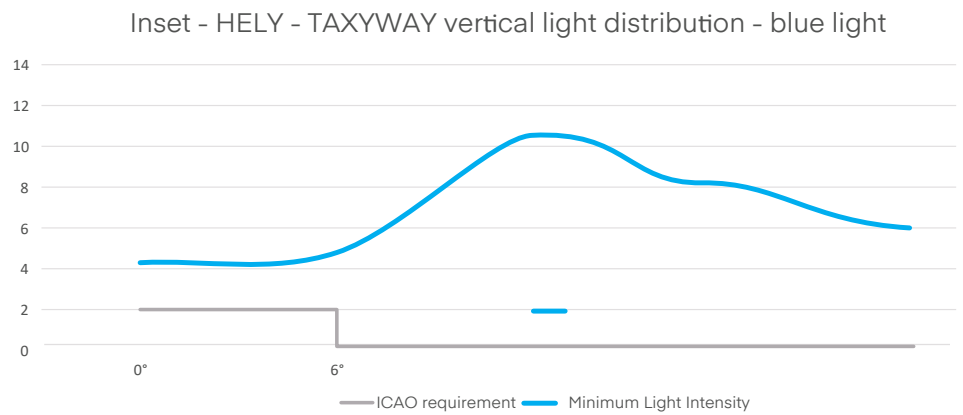
- 48V DC power supply from controller with 3 core cable
V+ (brown)
V- (blue)
Dimming (green/yellow)
- 230V AC directly from mains power supply
Live (brown)
Neutral (blue)
Ground (green/yellow)

The light fixtures will be provided with sufficient length cable, which will be laid through a channel outside the heliport area, where it will be electrically con-nected using an IP65-rated junction box.

Photometric Characteristics

Intensity level: 100%, 30%, 10% with controller in 48VDC
Horizontal output: 360°
Light colour: Blue light

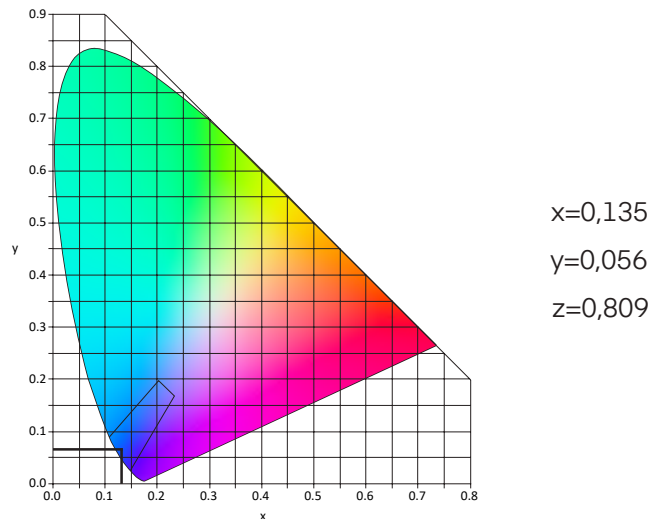
Vertical elevation angle	0°-6°	>6°
Required minimum intensity [cd]	2	0.2
Measured minimum intensity [cd]	4.3	10.6



The brightness intensity values complies with :

ICAO requirements Annex 14 Vol.2 fig.5-11/6

The light colour emitted by the light fixture is blue, with the trichromatic coordinates:



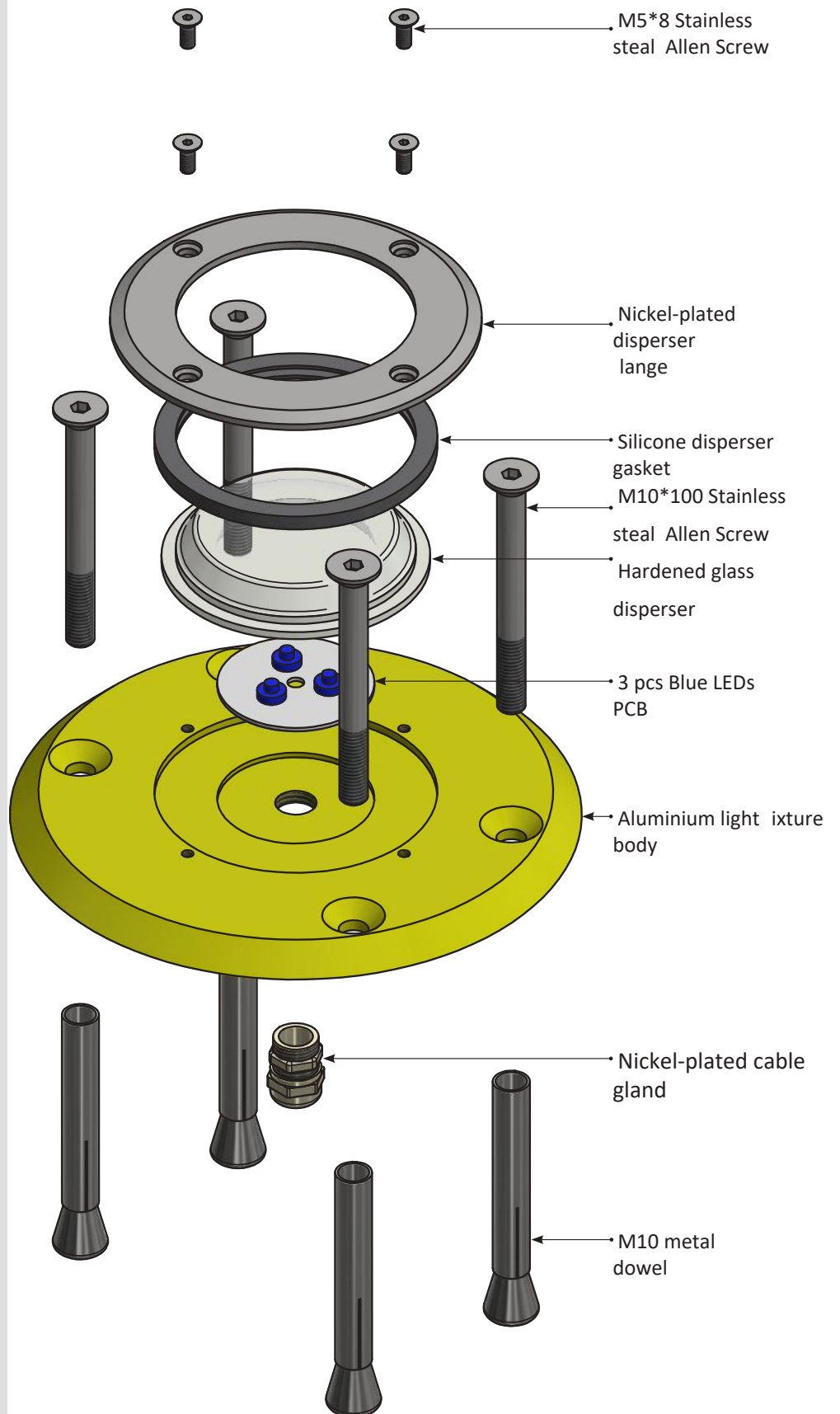
The measured trichromatic coordinates correspond to colour range requirements in:

ICAO Annex 14 - Aerodromes Vol.1, fig. A1-1-1b.
 Colours for aeronautical ground lights (solid state lighting)

Accessory

To order accessories please call our customer support.
For contact details please refer to our website - www.signalight.com

Spare Parts





Signalight

+40 254 515 465
office@signalight.com

36 Lunca Street, Petrosani,
Hunedoara County, Romania

www.signalight.com