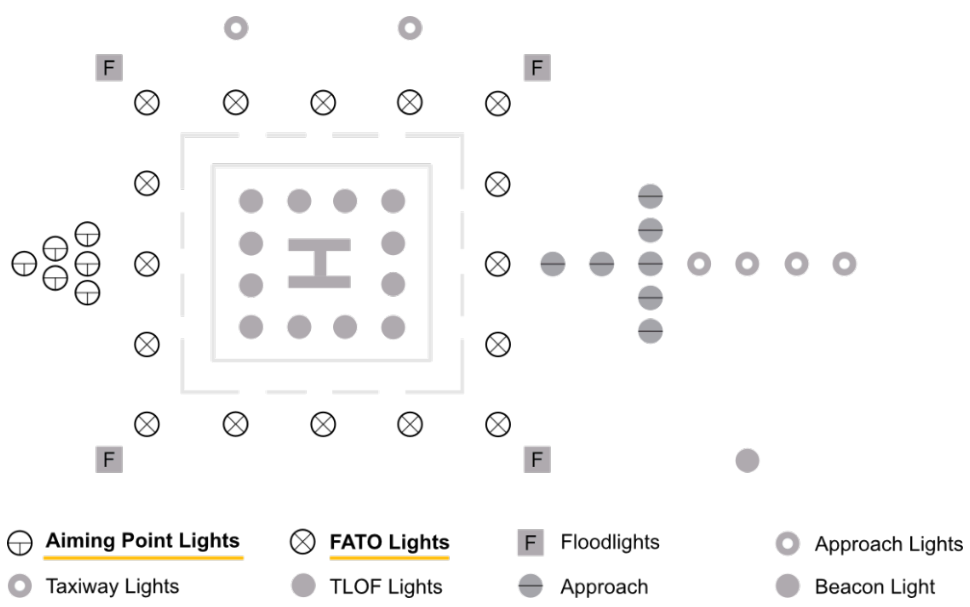


Flat Fato Aiming



<p>Compliance to Standards</p>	<p>ICAO: International Civil Aviation Organization, Aerodromes, Annex 14, Vol. 1</p> <p>ICAO: Annex 14, Volume II - Heliports</p> <p>IEC TS 61827: Electrical installations for lighting and beaconing of aerodromes. Characteristics of inset and elevated luminaires used on aerodromes and heliports</p>
<p>Application</p>	<p>Aiming point and FATO lights (Final Approach and Take Off Area)</p>  <p>The diagram illustrates the lighting layout for a heliport. It features a central aiming point (a large 'I' shape) surrounded by a grid of FATO lights. Floodlights are positioned at the corners of the FATO area. Approach lights are shown as a series of circles leading to the FATO. Taxiway lights are represented by circles with a cross. TLOF lights are shown as a row of circles. A beacon light is located at the end of the approach path.</p> <p> ⊕ Aiming Point Lights ⊗ FATO Lights F Floodlights ○ Approach Lights ○ Taxiway Lights ● TLOF Lights ⊖ Approach ● Beacon Light </p>
<p>Features</p>	<p>Designed and built with simplicity and ease of maintenance in mind.</p> <p>High-power LED technology with an estimated lifetime of 100,000 hours.</p> <p>Lightweight, low-energy and environment friendly lighting fitting. Extensive use of aluminium alloys reduces fitting weight and eases handling in the field.</p>

<p>Product Code</p>	<p>AL - 071 - 04 - WH - F</p> <p>Series Indicator (Airfield Lighting) AL</p> <p>Product Indicator 071</p> <p>LEDs Number 04</p> <p>LEDs Light Color (White) WH</p> <p>Indicative for surface mounting fixture F</p>
<p>Description</p>	<p>Housing - Powder coated aluminium RAL 1004 (aviation yellow) Disperser - hardened glass Disperser flange - nickel plated ring Cable gland - nickel plated brass Fasteners - stainless steel</p> <p>Light fixtures are provided with anti condensation valve. Light fixtures are UV protected.</p>
<p>Environment</p>	<p>Temperature range: -55° to +55°</p> <p>Degree of protection: IP68</p> <p>Humidity: 0-100%</p> <p>Ka tested: Salt mist - in accordance with: IEC 60068-2-11 & IEC 60068-2-25</p>
<p>Mounting</p>	<p>Light fixtures are designed to be mounted on any hard flat surface, such as:</p> <p><input checked="" type="checkbox"/> Concrete <input checked="" type="checkbox"/> Asphalt <input checked="" type="checkbox"/> Metallic structures</p>

Electrical Characteristics

Power consumption: 8.4 W

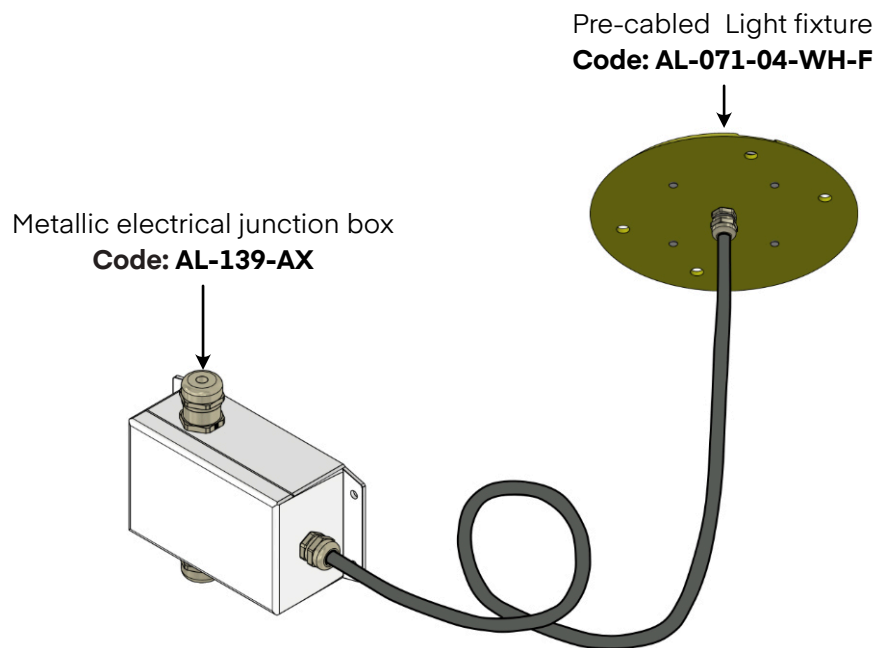
Power supply:

48 VDC from controller - dimmable: 100%, 30%, 10%

90-230 V, 50/60 Hz - non dimmable

1.4 A CC - dimmable: 100%, 30%, 10% (internal bypass + SPD)

Electrical connections:



Types of power supply:

48 VDC power supply from controller with 3 core cable

V+ (brown)

V- (blue)

Dimming (green/yellow)

230 VAC directly from mains power supply

Live (brown)

Neutral (blue)

Ground (green/yellow)

1.4 A CC power supply from controller with 2 core cable

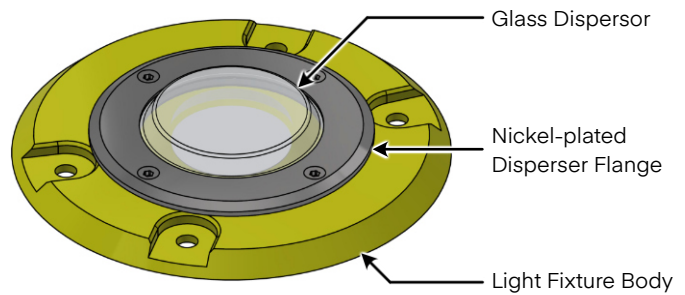
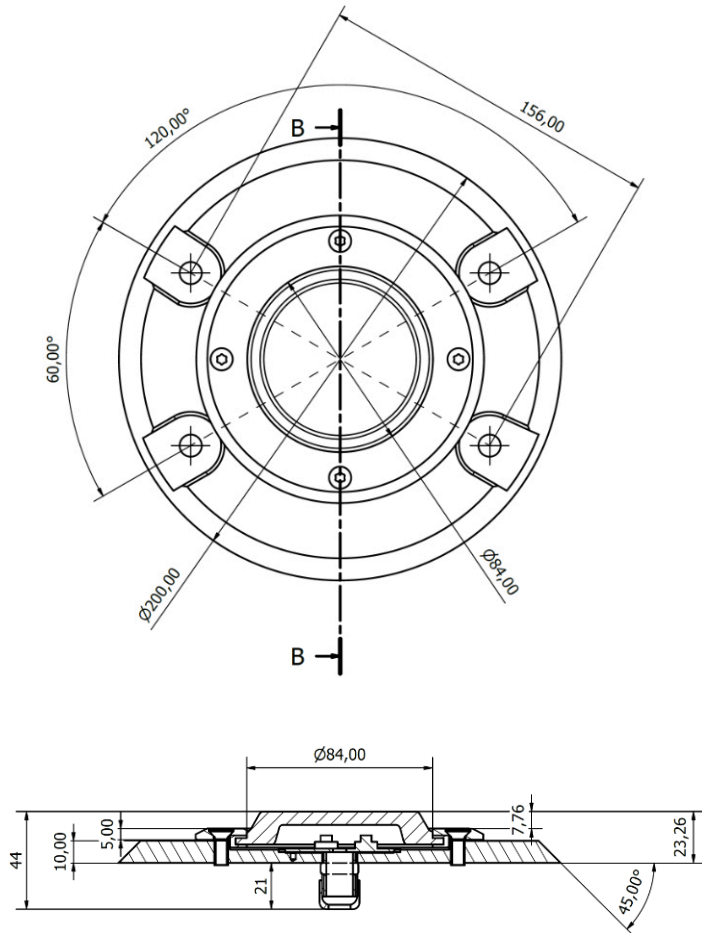
V+ (red mark)

V- (blue mark)

The light fixture is supplied with a sufficiently long cable, which is routed through a channel outside the heliport area and connected via an metallic junction box.

Mechanical Characteristics

Diameter: 200 mm
Height: 23.26 mm without cable gland
 44 mm with cable gland
Weight: 1.5 kg



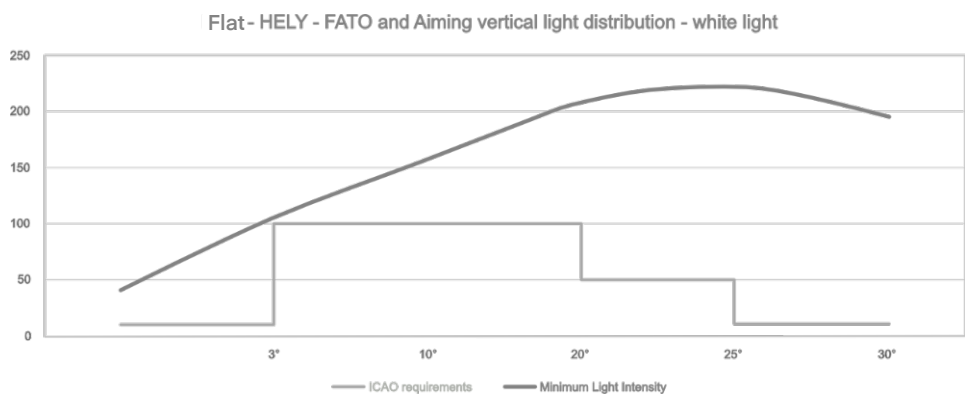
Photometric Characteristics

Intensity level: 100%, 30%, 10% with version powered in 48 VDC or 1.4 A CC

Horizontal output: 360°

Light color: White

Vertical elevation angle	0°	3°	10°	20°	25°	30°
Required minimum intensity [cd]	10	100	100	100	50	10
Measured minimum intensity [cd]	40.3	104	158	209	223	196



The brightness intensity values complies with:
ICAO requirements Annex 14 Vol.2 fig. 5-12, illustration 4.

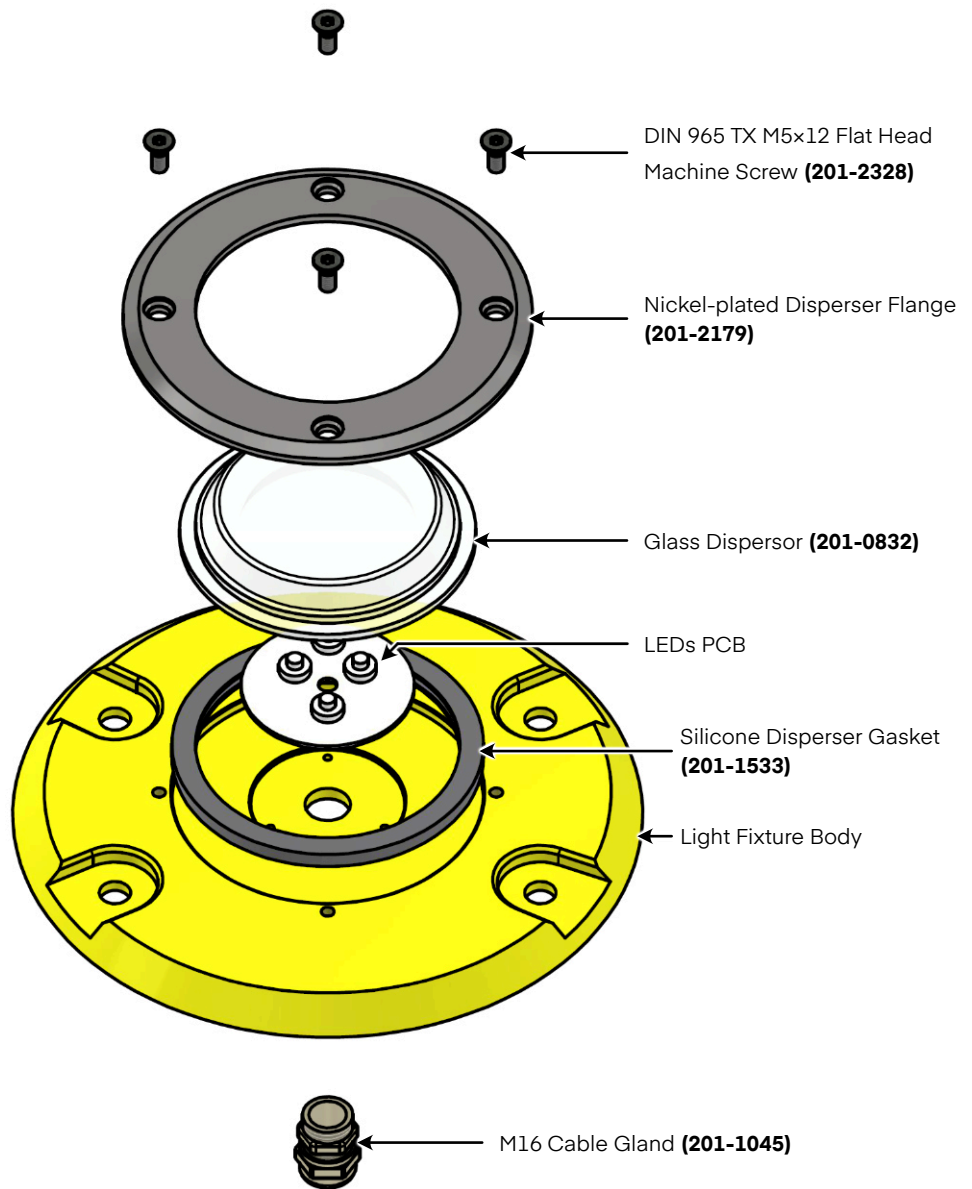
The light color emitted by the light fixture is white, with the following trichromatic coordinates:



The measured trichromatic coordinates correspond to color range requirements in:

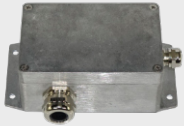
ICAO Annex 14 - Aerodromes Vol.1, fig, A1-1b. Colors for aeronautical ground lights (solid state lighting)

Spare Parts



Accessory

To order accessories please call our customer support. For contact details please refer to our website - www.signalight.com

#	Name - Series	Product Code	Image
1	Metallic electrical junction box	AL-139-AX	



Signalight

+40 254 515 465
office@signalight.com

36 Lunca Street, Petrosani,
Hunedoara County, Romania

www.signalight.com