





ELEVATED TLOF



| | |
|---------------------------------------|--|
| <p>Compliance to standards</p> | <p>ICAO: International Civil Aviation Organization, Aerodromes, Annex 14, Vol. 1</p> <p>ICAO: Annex 14, Volume II - Heliports</p> <p>IEC TS 61827: Electrical installations for lighting and beaconing of aerodromes. Characteristics of inset and elevated luminaires used on aerodromes and heliports</p> |
| <p>Application</p> | <p>TLOF lights (Touchdown and Lift Off Area Perimeter)</p> <p> ⦿ Aiming Point Lights ⊗ FATO Lights Ⓛ Floodlights ⦿ Approach Lights ⦿ Taxiway Lights ● TLOF Lights ⊖ Approach Lights ● Beacon Light </p> |
| <p>Features</p> | <p>Designed and built with simplicity and ease of maintenance in mind. High power LED technology Lightweight, low-energy and environment friendly lighting fitting. Extensive use of aluminium alloys reduces fitting weight and eases handling in the field.</p> |

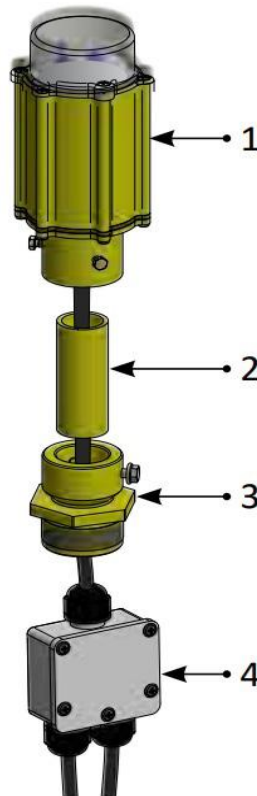
| | |
|----------------------------|---|
| <p>Product Code</p> | <p>AL - 058 - 02 - GR</p> <p>Series Indicator (Airfield Lighting) AL Product Indicator 058 LEDs Number 02 LEDs Light Colour (green) GR</p> |
| <p>Description</p> | <p>Housing - Powder coated aluminium RAL 1004 (aviation yellow)  Dispenser - clear polycarbonate Cable gland - nickel plated brass Fasteners - stainless steel</p> <p>Light fixtures are provided with anti condensation valve.</p> |
| <p>Environment</p> | <p>Temperature range: - 55° to +55° Degree of protection: IP X8 Ka tested: Salt mist</p> |
| <p>Mounting</p> | <div style="display: flex; justify-content: space-around;"> <div style="text-align: center;"> <p>Φ160mm ElectroMax Shallow Base</p>  </div> <div style="text-align: center;"> <p>Φ8" IEC type Shallow Base with Adapter Ring</p>  </div> <div style="text-align: center;"> <p>Mounted on Φ160mm Base</p>  </div> </div> |

Electrical Characteristics

Power consumption: 4.5W

Power supply: 48V DC from controller - dimmable: 100%, 30%, 10%
 90-230V, 50/60HZ - non dimmable
 1.4A CC - dimmable: 100%, 30%, 10%(internal bypass + SPD)

Electrical Connections



- 1.Light Fixture pre cabled with 0,5m cable
Code:AL-058-02-GR
- 2. Ø32 mm Coupling Tube
Code:AL-100-AX
- 3.Frangible Coupling
Code:AL-101-AX
- 4.IP68 Electrical Junction Box
Code:AL-107-AX

Types of power supply:

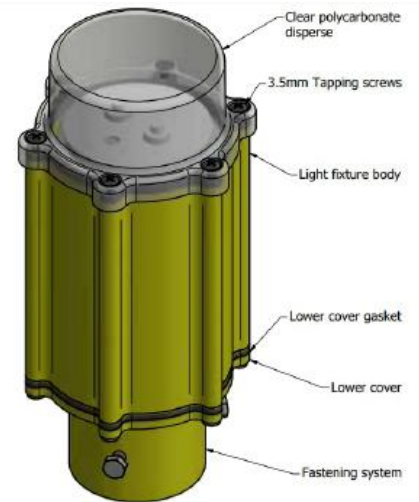
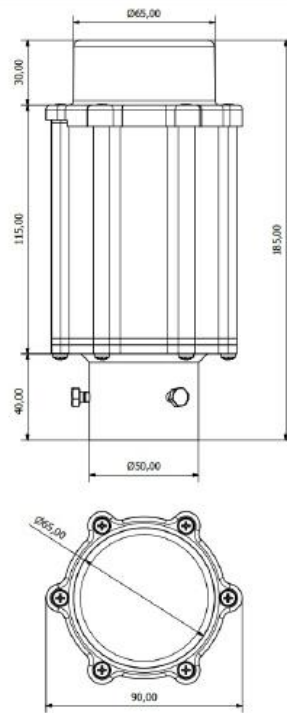
- 48V DC power supply from controller with 3 core cable
 - V+** (brown)
 - V-** (blue)
 - Dimming** (green/yellow)
- 230V AC directly from mains power supply
 - Live** (brown)
 - Neutral** (blue)
 - Ground** (green/yellow)
- 1.4A CC power supply from controller with 2 core cable
 - V+** (red mark)
 - V-** (blue mark)

Mechanical Characteristics

Diameter: 65 mm

Total height: 185 mm

Weight: 1 kg



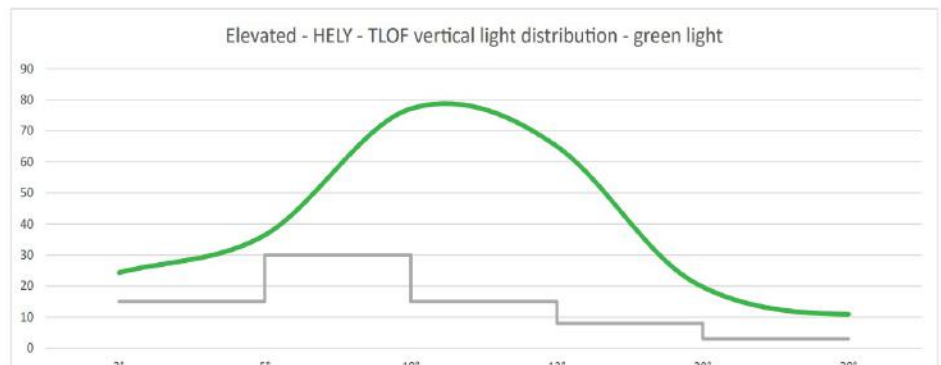
Photometric Characteristics

Intensity level: 100%, 30%, 10% version powered in 48 VDC or 1.4A CC

Horizontal output: 360°

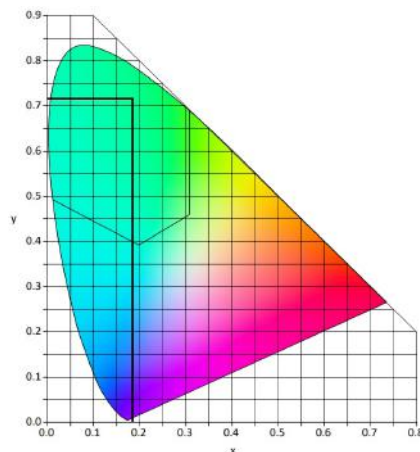
Light colour: Green light

| Vertical elevation angle | 2°-5° | 5°-10° | 10°-13° | 13°-20° | 20°-90° |
|---------------------------------|-------|--------|---------|---------|---------|
| Required minimum intensity [cd] | 15 | 30 | 15 | 8 | 3 |
| Measured minimum intensity [cd] | 24.3 | 36.4 | 71 | 111 | 11.3 |



The brightness intensity values complies with:
ICAO requirements Annex 14 Vol.2 fig.5-11/6

The light colour emitted by the light fixture is blue, with the trichromatics coordinates:

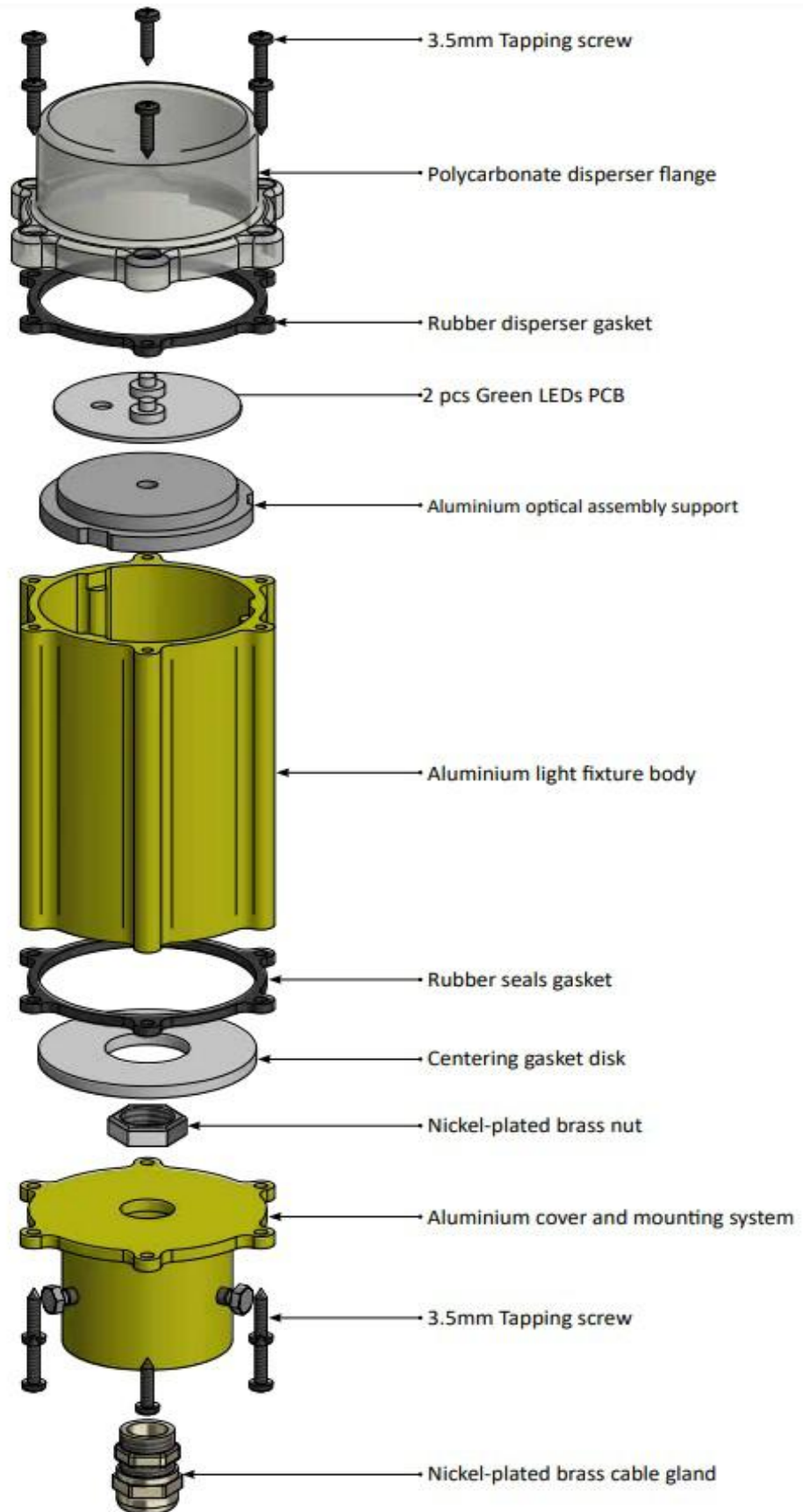


x=0,183
y=0,716
z=0,101

The measured trichroamtic coordinates correspond to colour range requirements in:

ICAO Annex 14 - Aerodromes Vol.1, fig, A1-1-1b.
Colours for aeronautical ground lights (solid state lighting)

Spare Parts



Accessory

To order accessories please call our customer support.
For contact details please refer to our website - www.signalight.com

| # | NAME - SERIES | PRODUCT CODE | IMAGE |
|---|---|--------------|---|
| 1 | Φ32 mm Coupling Tube | AL-100-AX |  |
| 2 | Frangible Coupling | AL-101-AX |  |
| 3 | Φ260mm Base Plate | AL-102-AX |  |
| 4 | Mounting Flange | AL-103-AX |  |
| 5 | ElectroMax Standard Φ160mm Shallow Base | AL-104-AX |  |
| 6 | Adapter Ring for 8" Shallow Base | AL-105-AX |  |
| 7 | Φ160mm Surface Mounted Base | AL-106-AX |  |
| 8 | IP68 Electrical Junction Box | AL-107-AX |  |
| 9 | Φ160mm Shallow Base Installation Jig | AL-108-AX |  |



Signalight

+40 254 515 465
office@signalight.com

36 Lunca Street, Petrosani,
Hunedoara County, Romania

www.signalight.com