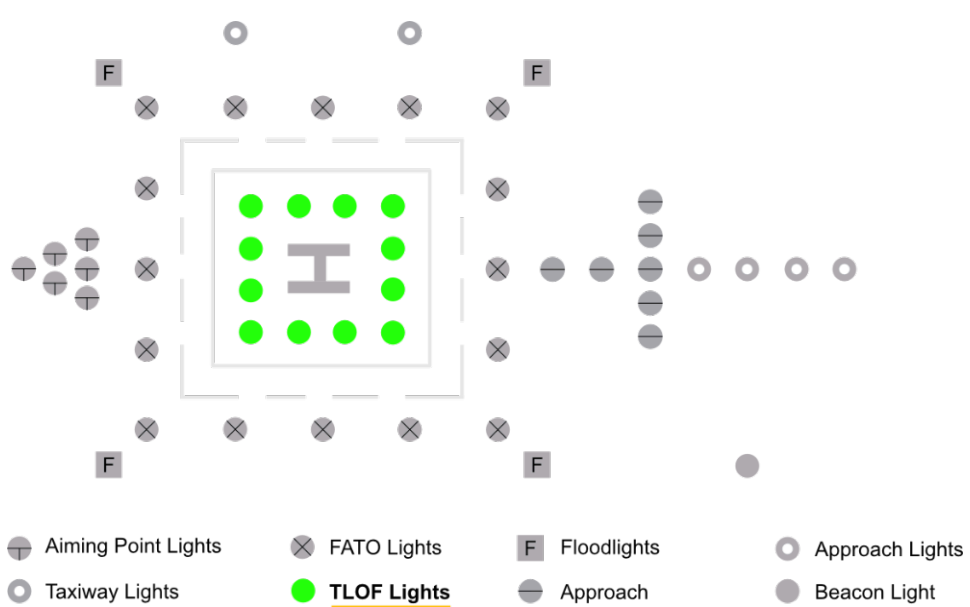

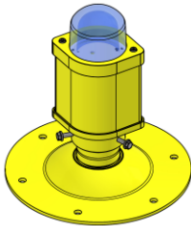
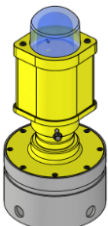
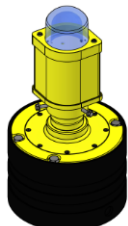
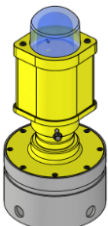
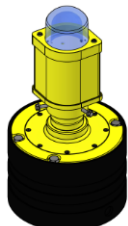
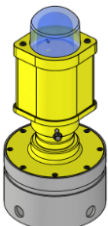
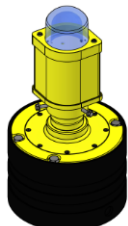


Elevated Heliport TLOF



<p>Compliance to standards</p>	<p>ICAO: International Civil Aviation Organization, Aerodromes, Annex 14, Vol. 1</p> <p>ICAO: Annex 14, Volume II - Heliports</p> <p>IEC TS 61827: Electrical installations for lighting and beaconing of aerodromes. Characteristics of inset and elevated luminaires used on aerodromes and heliports</p>
<p>Application</p>	<p>TLOF lights (Touchdown and Lift Off Area Perimeter)</p>  <p> ⊕ Aiming Point Lights ⊗ FATO Lights F Floodlights ○ Approach Lights ○ Taxiway Lights ● <u>TLOF Lights</u> ● Approach ● Beacon Light </p>
<p>Features</p>	<p>Designed and built with simplicity and ease of maintenance in mind.</p> <p>High power LED technology.</p> <p>Lightweight, low-energy and environment friendly lighting fitting.</p> <p>Extensive use of aluminium alloys reduces fitting weight and eases handling in the field.</p>

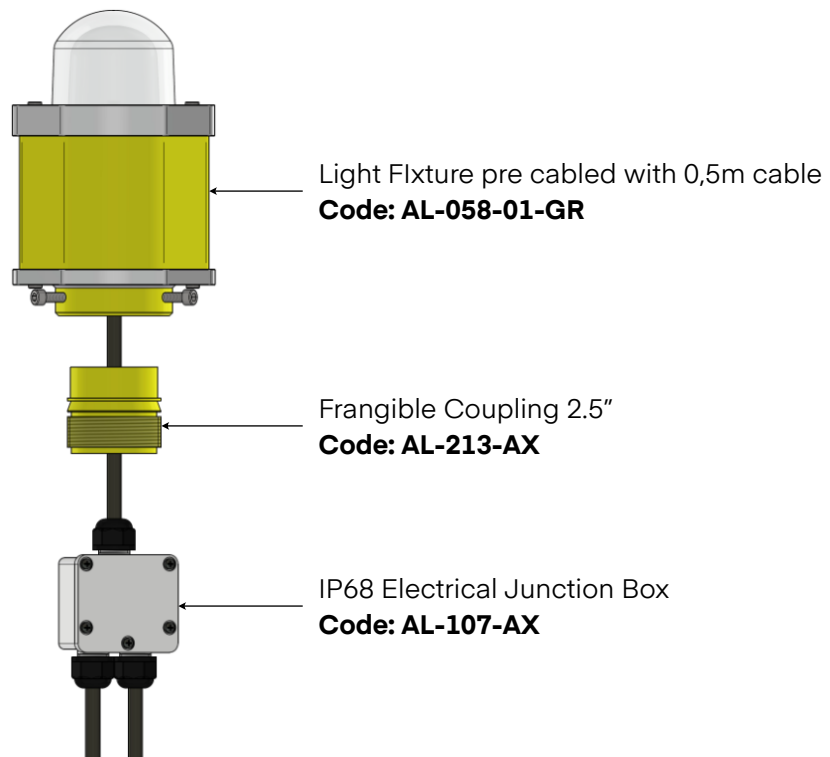
<p>Product Code</p>	<p>AL - 058 - 01 - GR</p> <p>Series Indicator (Airfield Lighting) AL Product Indicator 058 LEDs Number 01 LEDs Light Color (Green) GR</p>		
<p>Description</p>	<p>Housing - powder coated aluminium RAL 1004 (aviation yellow) </p> <p>Dispenser - hardened glass</p> <p>Cable gland - nickel plated brass</p> <p>Fasteners - stainless steel</p> <p>Light fixtures are provided with anti condensation valve.</p>		
<p>Environment</p>	<p>Temperature range: -40° to +55°</p> <p>Degree of protection: IP67</p> <p>Ka tested: Salt mist</p> <p>Humidity: 0-100%</p>		
<p>Mounting</p>	<p>Ø260 mm Base Plate & Frangible Coupling</p>  <hr/> <table border="1"> <tr> <td data-bbox="485 1570 963 2029"> <p>Ø160 mm ElectroMax Shallow Base & Frangible Coupling</p>  </td> <td data-bbox="963 1570 1442 2029"> <p>Ø8" IEC type Shallow Base with Adapter Ring & Frangible Coupling</p>  <p>Note: Only the Adapter ring is included. The Ø8" Shallow Base must be purchased separately.</p> </td> </tr> </table>	<p>Ø160 mm ElectroMax Shallow Base & Frangible Coupling</p> 	<p>Ø8" IEC type Shallow Base with Adapter Ring & Frangible Coupling</p>  <p>Note: Only the Adapter ring is included. The Ø8" Shallow Base must be purchased separately.</p>
<p>Ø160 mm ElectroMax Shallow Base & Frangible Coupling</p> 	<p>Ø8" IEC type Shallow Base with Adapter Ring & Frangible Coupling</p>  <p>Note: Only the Adapter ring is included. The Ø8" Shallow Base must be purchased separately.</p>		

Electrical Characteristics

Power consumption: 4.5 W

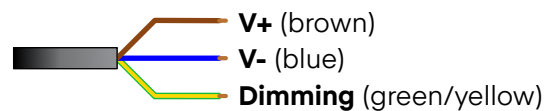
Power supply: 48 VDC from controller - dimmable : 100% ,30%, 10%
 90-230 VAC, 50/60 Hz - non dimmable
 1.4 A CC - dimmable : 100% ,30%, 10%

Electrical connections

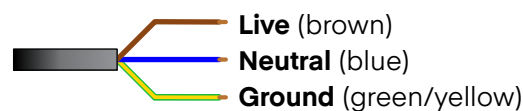


Types of power supply:

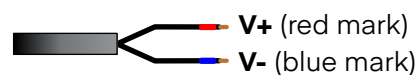
48 VDC power supply from controller with 3-core cable:



230 VAC directly from mains with 3-core cable:



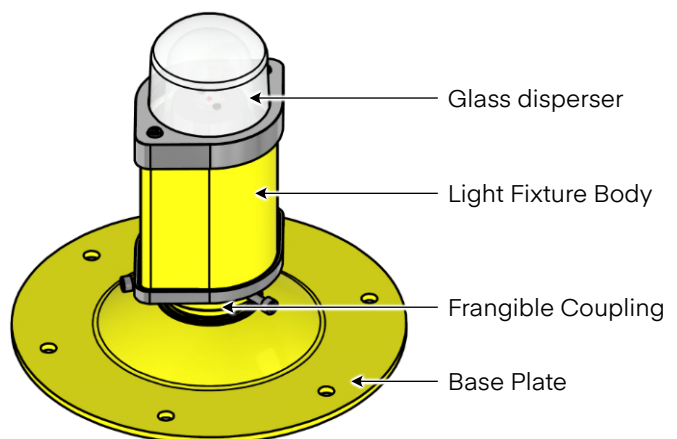
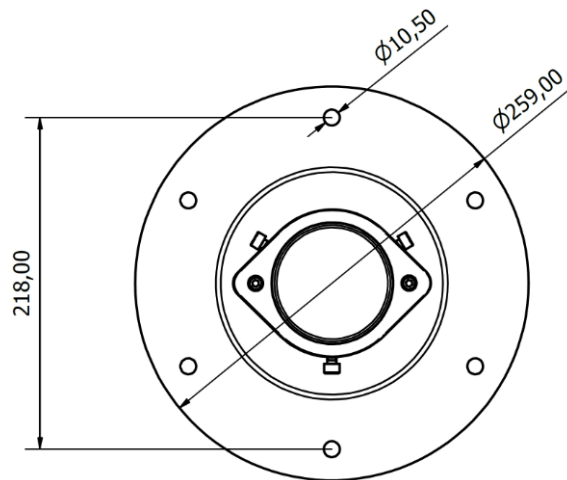
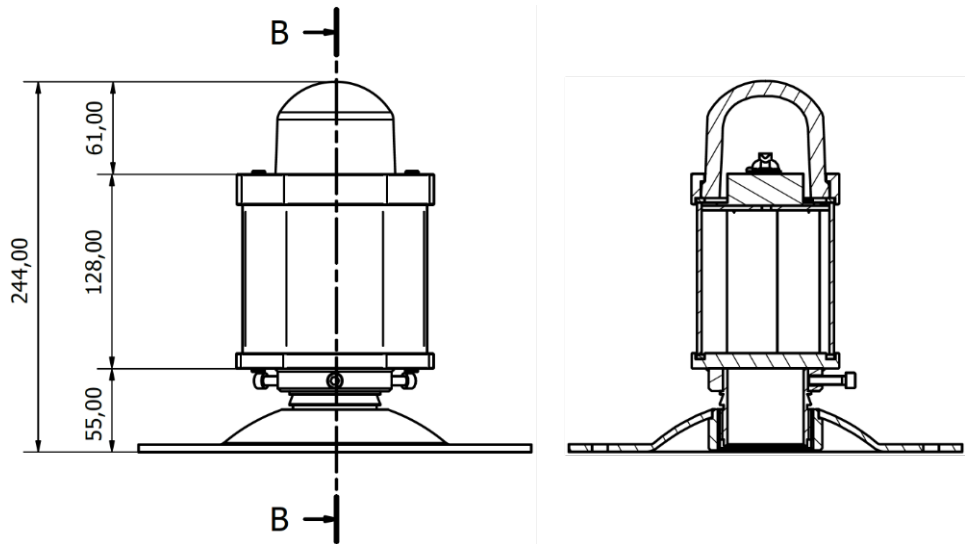
1.4 A CC power supply from controller with 2-core cable:



Mechanical Characteristics

Total height: 244 mm

Weight: 1.9 kg



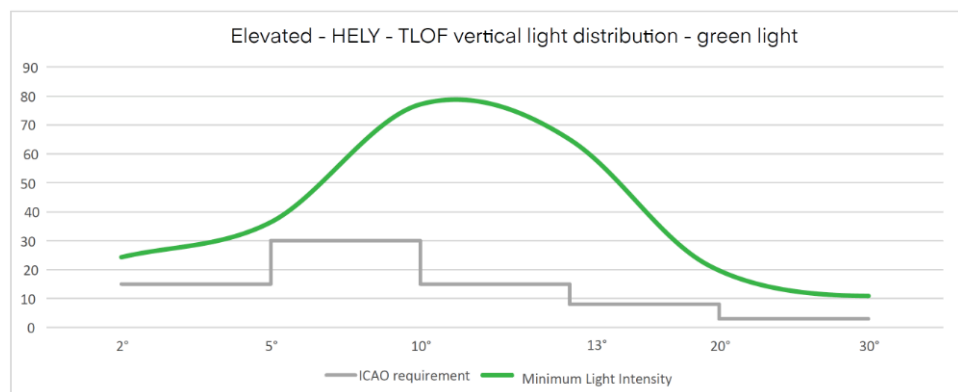
Photometric Characteristics

Intensity level: 100%, 30%, 10% for versions powered at 48 VDC or 1.4 A CC

Horizontal output: 360°

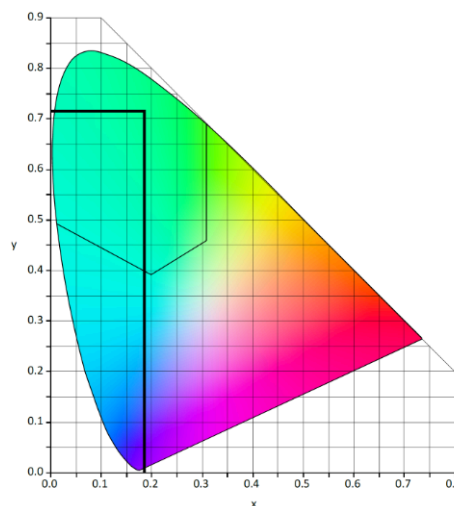
Light color: Green

Vertical elevation angle	2°-5°	5°-10°	10°-13°	13°-20°	20°-30°
Required minimum intensity [cd]	15	30	15	8	3
Measured minimum intensity [cd]	24.3	36.4	71	11.1	11.3



The brightness intensity values complies with:
ICAO requirements Annex 14 Vol.2 fig. 5-12 illustration 5

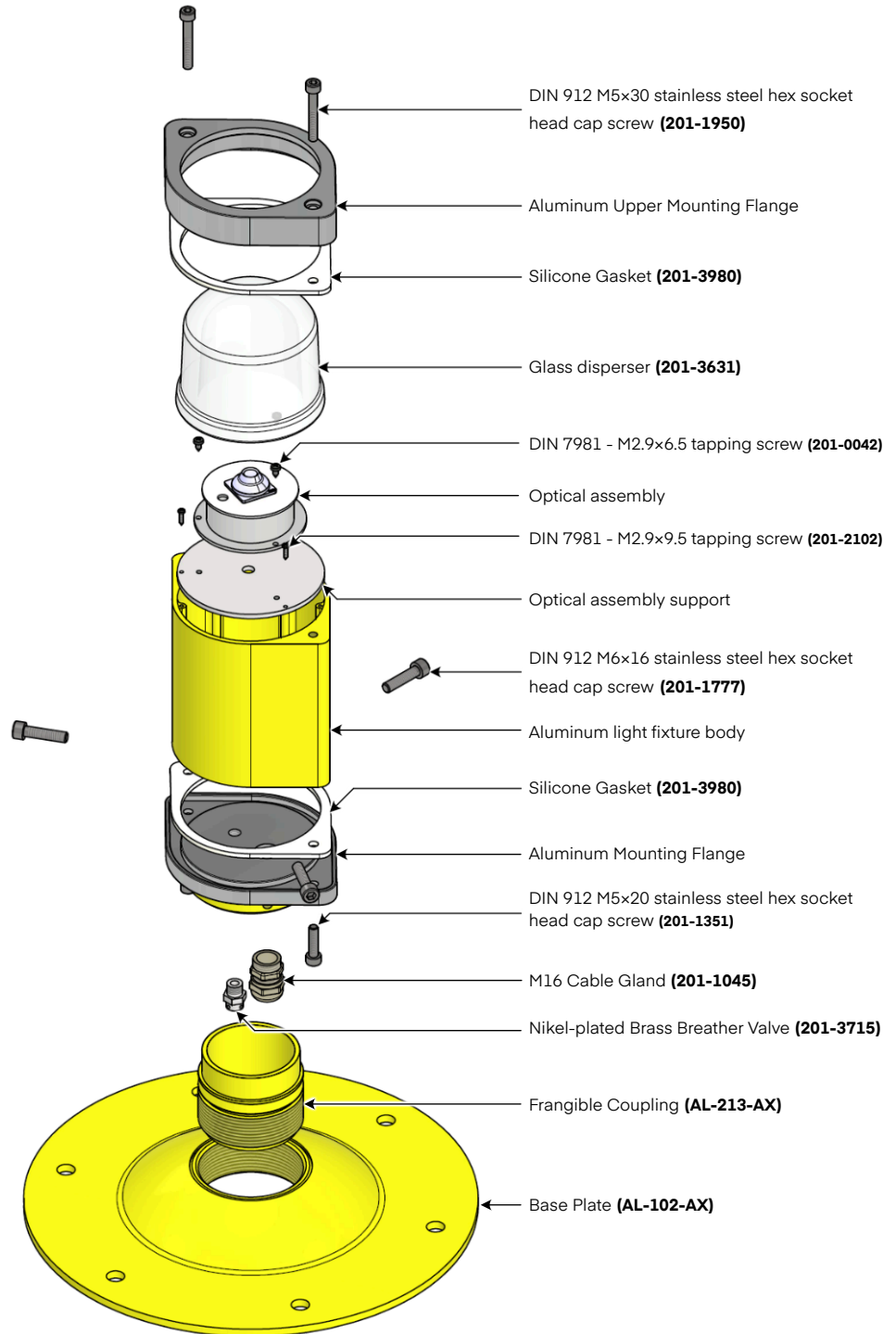
The light color emitted by the light fixture is green, with the following trichromatic coordinates:



The measured trichromatic coordinates correspond to color range requirements in:

ICAO Annex 14 - Aerodromes Vol.1, fig, A1-1b. Colors for aeronautical ground lights (solid state lighting)

Spare Parts



Accessory

To order accessories please call our customer support.
 For contact details please refer to our website - www.signalight.com

#	Name - Series	Product Code	Image
1	Frangible Coupling 2.5"	AL-213-AX	
2	Ø260 mm Base Plate	AL-102-AX	
3	Mounting Flange	AL-103-AX	
4	ElectroMax Standard Ø160 mm Shallow Base	AL-104-AX	
5	Adapter Ring for 8" Shallow Base	AL-105-AX	
6	Ø160 mm Surface Mounted Base	AL-106-AX	
7	IP68 Electrical Junction Box	AL-107-AX	
8	Ø160 mm Shallow Base Installation Jig	AL-108-AX	



Signalight

+40 254 515 465
office@signalight.com

36 Lunca Street, Petrosani,
Hunedoara County, Romania

www.signalight.com