

Elevated Heliport Approach



Compliance to standards

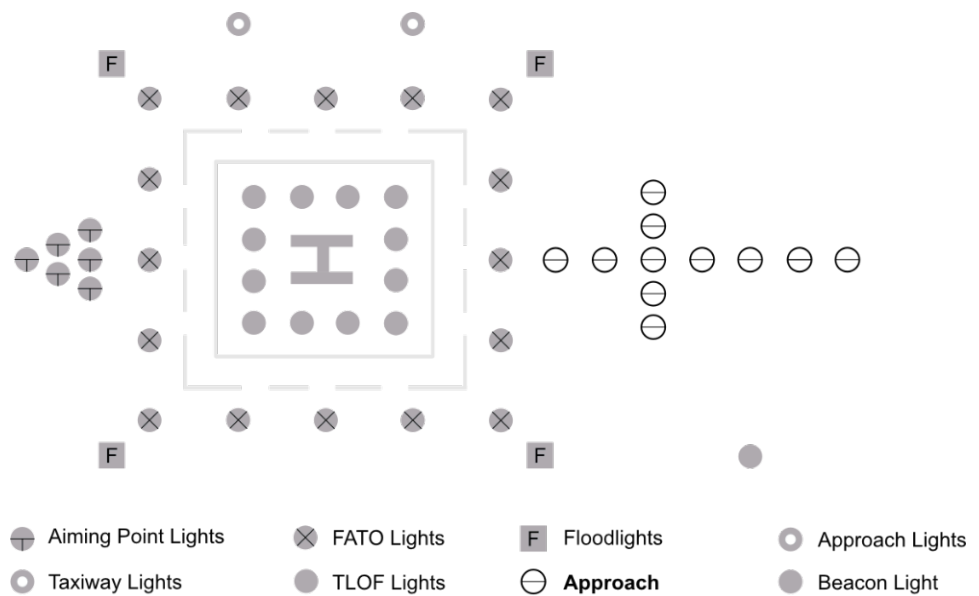
ICAO:
International Civil Aviation Organization, Aerodromes, Annex 14, Vol. 1

ICAO:
Annex 14, Volume II - Heliports

IEC TS 61827:
Electrical installations for lighting and beaconing of aerodromes. Characteristics of inset and elevated luminaires used on aerodromes and heliports

Application

Approach lights



Features


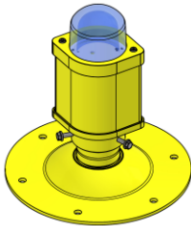
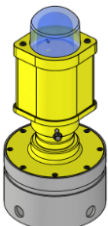
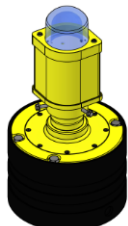
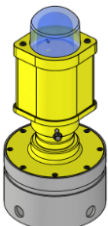
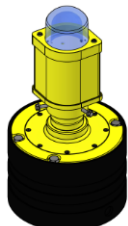
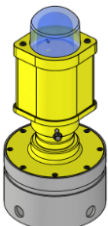
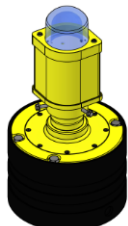
Designed and built with simplicity and ease of maintenance in mind.

High power LED technology.

Lightweight, low-energy and environment friendly lighting fitting.

Extensive use of aluminium alloys reduces fitting weight and eases handling in the field.

GPS for flashing sequence. **(optional)**

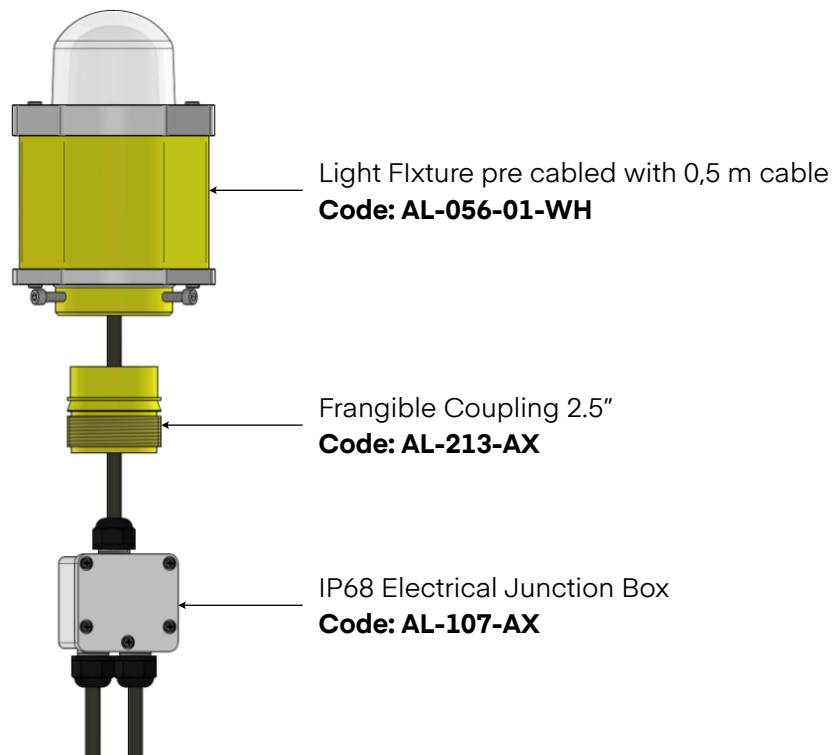
<p>Product Code</p>	<p>AL - 056 - 01 - WH</p> <p>Series Indicator (Airfield Lighting) AL Product Indicator 056 LEDs Number 01 LEDs Light Color (White) WH</p> <p>Optional: GPS for the flash sequence GPS</p>		
<p>Description</p>	<p>Housing - powder coated aluminium RAL 1004 (aviation yellow) </p> <p>Disperser - hardened glass</p> <p>Cable gland - nickel plated brass</p> <p>Fasteners - stainless steel</p> <p>Light fixtures are provided with an anti-condensation valve.</p> <p>Built-in GPS module for the flash sequence (ICAO requirements Annex 14 Vol.2 paragraph 5.3.3.6).</p>		
<p>Environment</p>	<p>Temperature range: -40° to +55°</p> <p>Degree of protection: IP67</p> <p>Ka tested: Salt mist</p> <p>Humidity: 0-100%</p>		
<p>Mounting</p>	<p style="text-align: center;">Ø260 mm Base Plate & Frangible Coupling</p> <div style="text-align: center;">  </div> <hr/> <table border="0" style="width: 100%;"> <tr> <td style="width: 50%; text-align: center;"> <p>Ø160 mm ElectroMax Shallow Base & Frangible Coupling</p> <div style="text-align: center;">  </div> </td> <td style="width: 50%; text-align: center;"> <p>Ø8" IEC type Shallow Base with Adapter Ring & Frangible Coupling</p> <div style="text-align: center;">  </div> <p>Note: Only the Adapter ring is included. The Ø8" Shallow Base must be purchased separately.</p> </td> </tr> </table>	<p>Ø160 mm ElectroMax Shallow Base & Frangible Coupling</p> <div style="text-align: center;">  </div>	<p>Ø8" IEC type Shallow Base with Adapter Ring & Frangible Coupling</p> <div style="text-align: center;">  </div> <p>Note: Only the Adapter ring is included. The Ø8" Shallow Base must be purchased separately.</p>
<p>Ø160 mm ElectroMax Shallow Base & Frangible Coupling</p> <div style="text-align: center;">  </div>	<p>Ø8" IEC type Shallow Base with Adapter Ring & Frangible Coupling</p> <div style="text-align: center;">  </div> <p>Note: Only the Adapter ring is included. The Ø8" Shallow Base must be purchased separately.</p>		

Electrical Characteristics

Power consumption: 18 W

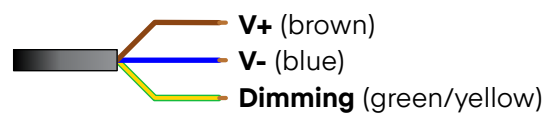
Power supply: 48 VDC from controller - dimmable : 100% ,30%, 10%
 90-230 V, 50/60 Hz - non dimmable
 1.4 A CC - dimmable : 100% ,30%, 10%

Electrical connections

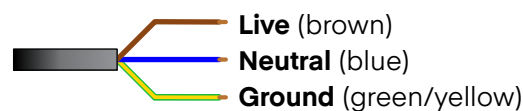


Types of power supply:

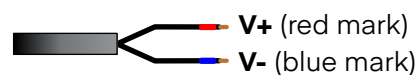
48 VDC power supply from controller with 3-core cable:



230 VAC directly from mains with 3-core cable:



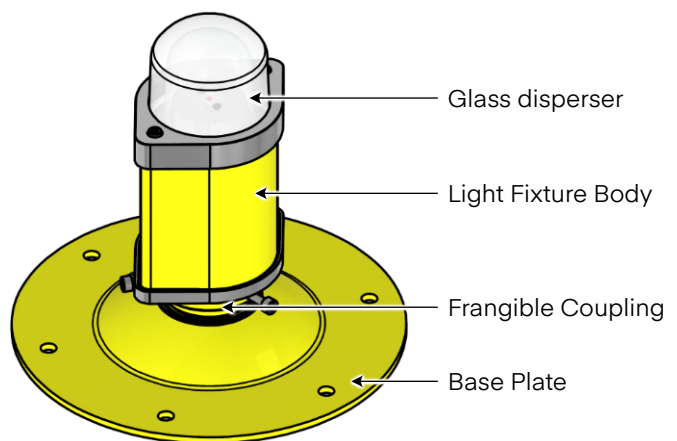
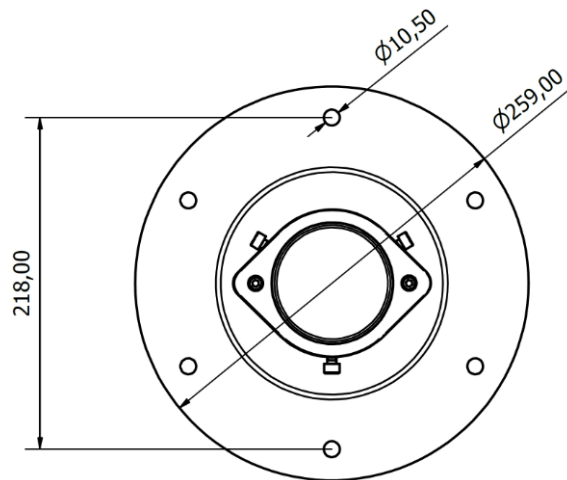
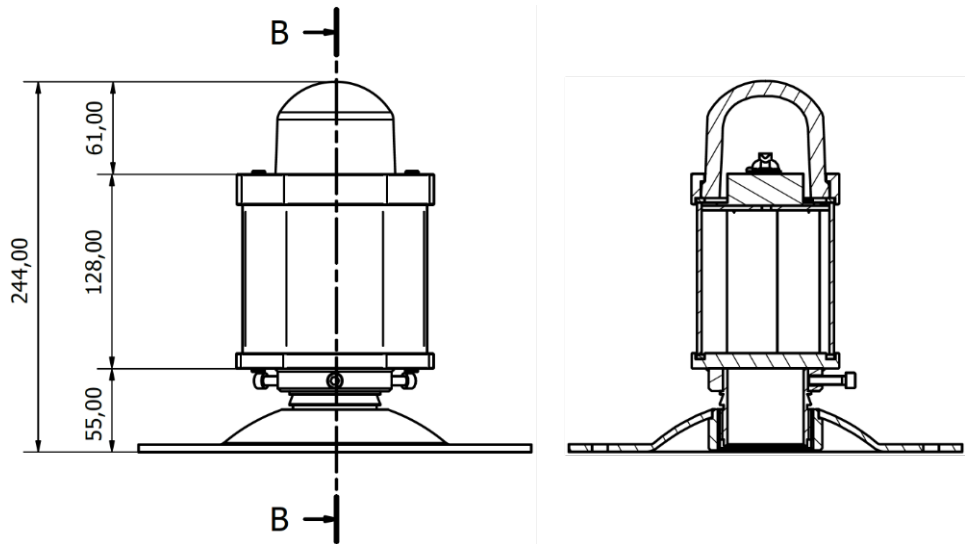
1.4 A CC power supply from controller with 2-core cable:



Mechanical Characteristics

Total height: 244 mm

Weight: 1.9 kg



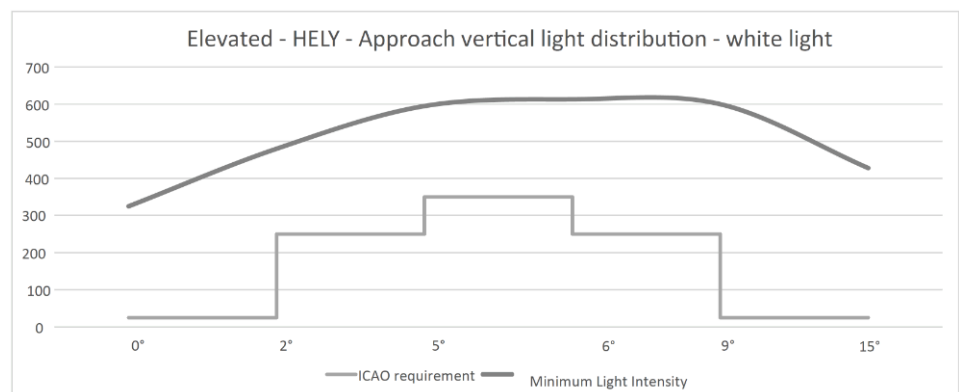
Photometric Characteristics

Intensity level: 100%, 30%, 10% with version powered in 48 VDC or 1.4 A CC

Horizontal output: 360°

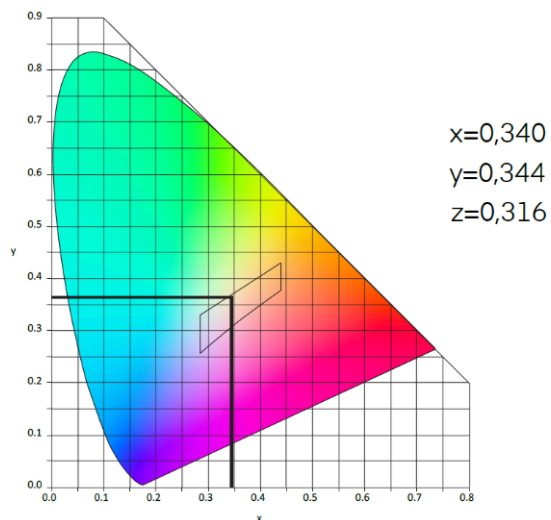
Light color: White

Vertical elevation angle	0°	2°	5°	6°	9°	15°
Required minimum intensity [cd]	25	250	350	350	250	25
Measured minimum intensity [cd]	325	480	595	613	600	428



The brightness intensity values complies with:
ICAO requirements Annex 14 Vol.2 fig. 5-12 illustration 2

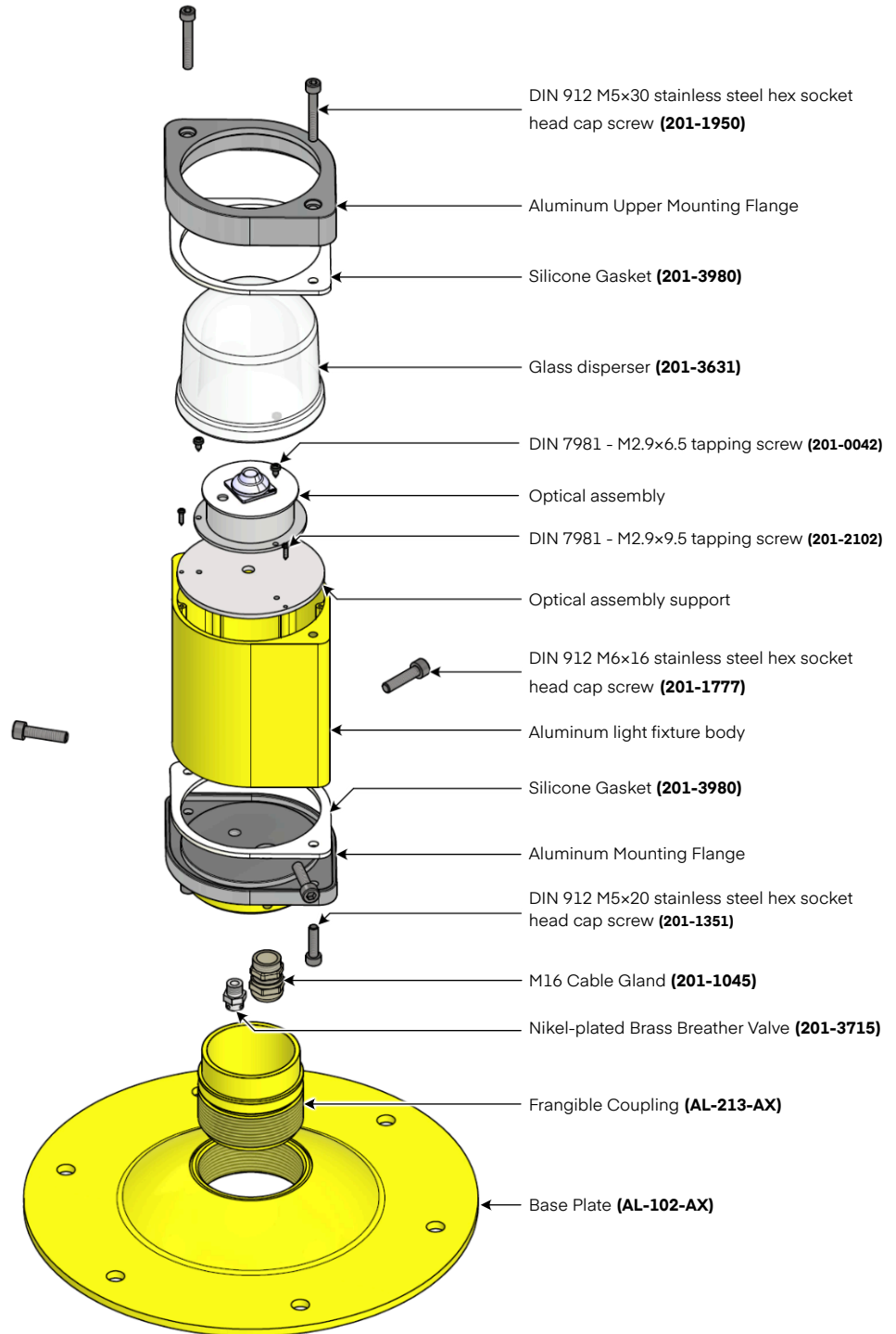
The light color emitted by the light fixture is white, with the following trichromatic coordinates:



The measured trichromatic coordinates correspond to color range requirements in:

ICAO Annex 14 - Aerodromes Vol.1, fig, A1-1b. Colors for aeronautical ground lights (solid state lighting)

Spare Parts



Accessory

To order accessories please call our customer support.
 For contact details please refer to our website - www.signalight.com

#	Name - Series	Product Code	Image
1	Frangible Coupling 2.5"	AL-213-AX	
2	Ø260 mm Base Plate	AL-102-AX	
3	Mounting Flange	AL-103-AX	
4	ElectroMax Standard Ø160 mm Shallow Base	AL-104-AX	
5	Adapter Ring for 8" Shallow Base	AL-105-AX	
6	Ø160 mm Surface Mounted Base	AL-106-AX	
7	IP68 Electrical Junction Box	AL-107-AX	
8	Ø160 mm Shallow Base Installation Jig	AL-108-AX	



Signalight

+40 254 515 465
office@signalight.com

36 Lunca Street, Petrosani,
Hunedoara County, Romania

www.signalight.com