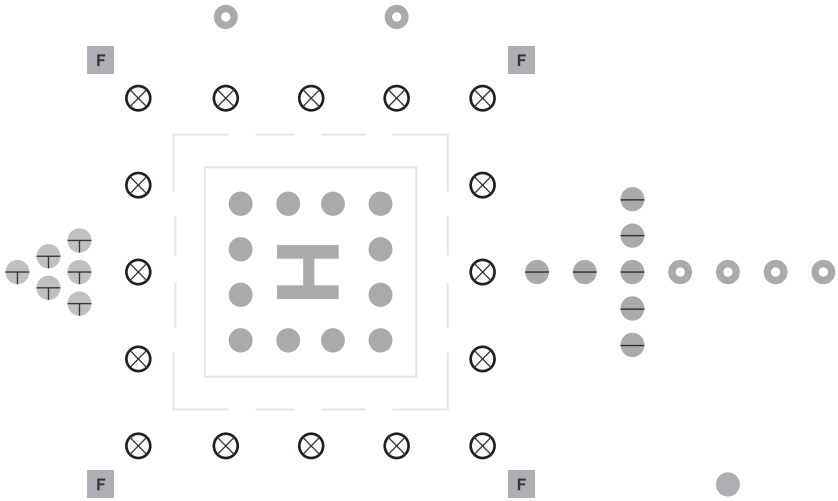

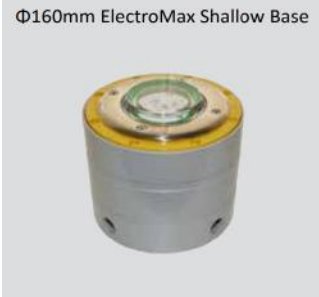
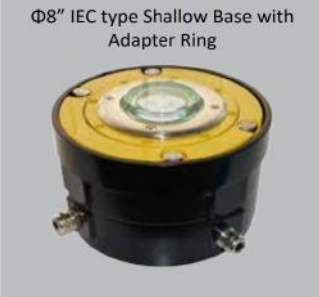



INSET FATO



<p>Compliance to standards</p>	<p>ICAO: International Civil Aviation Organization, Aerodromes, Annex 14, Vol. 1</p> <p>ICAO: Annex 14, Volume II - Heliports</p> <p>IEC TS 61827: Electrical installations for lighting and beaconing of aerodromes. Characteristics of inset and elevated luminaires used on aerodromes and heliports</p>
<p>Application</p>	<p>Aiming point and FATO lights (Final Approach and Take Off Area)</p>  <p>The diagram illustrates the lighting layout for a heliport. It features a central aiming point (a crosshair) surrounded by a grid of FATO lights. Floodlights are positioned at the corners of the FATO area. Taxiway lights are shown as a series of circles leading to the FATO. TLOF lights are represented by a horizontal line of circles. Approach lights are shown as a vertical line of circles. A single beacon light is located at the bottom right of the layout.</p> <ul style="list-style-type: none"> ⊕ Aiming Point Lights ⊗ FATO Lights ■ Floodlights ○ Approach Lights ○ Taxiway Lights ● TLOF Lights ● Approach Lights ● Beacon Light
<p>Features</p>	<p>Designed and built with simplicity and ease of maintenance in mind. High power LED technology in 100000 hours estimated lifetime. Lightweight, low-energy and environment friendly lighting fitting. Extensive use of aluminium alloys reduces fitting weight and eases handling in the field.</p>

<p>Product Code</p>	<p>AL - 071 - 04 - WH</p> <p>Series Indicator (Airfield Lighting) AL Product Indicator 071 LEDs Number 04 LEDs Light Colour (cool white) WH</p>
<p>Description</p>	<p>Housing - Powder coated aluminium RAL 1004 (aviation yellow) </p> <p>Dispenser - clear polycarbonate Dispenser flange - nickel plated ring Cable gland - nickel plated brass Fasteners - stainless steel</p>
<p>Environment</p>	<p>Temperature range: - 55° to +55° Degree of protection: IP X8 Ka tested: Salt mist</p>
<p>Mounting</p>	<div style="display: flex; justify-content: space-around;"> <div style="text-align: center;"> <p>Φ160mm ElectroMax Shallow Base</p>  </div> <div style="text-align: center;"> <p>Φ8" IEC type Shallow Base with Adapter Ring</p>  </div> <div style="text-align: center;"> <p>Mounted on Φ160mm Base</p>  </div> </div>

Electrical Characteristics

Power consumption: 9W

Power supply: 48V DC from controller - dimmable: 100%, 30%, 10%
 90-230V, 50/60HZ - non dimmable
 1.4A CC - dimmable: 100%, 30%, 10%(internal bypass + SPD)

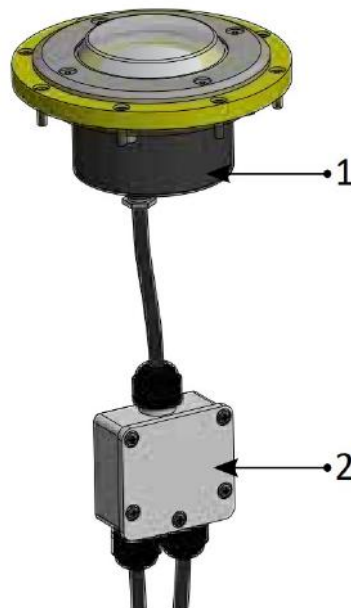
Electrical Connections

1.Light Flixture pre cabled with 0,5m cable

Code:AL-071-04-WH

2.IP68 Electrical Junction Box

Code:AL-107-AX



Types of power supply:

-48V DC power supply from controller with 3 core cable

V+ (brown)

V- (blue)

Dimming (green/yellow)

-230V AC directly from mains power supply

Live (brown)

Neutral (blue)

Ground (green/yellow)

-1.4A CC power supply from controller with 2 core cable

V+ (red mark)

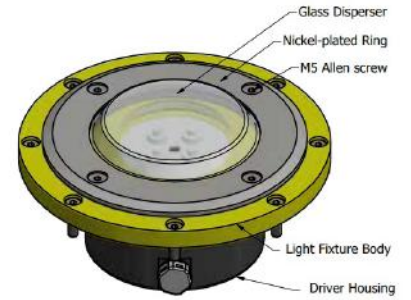
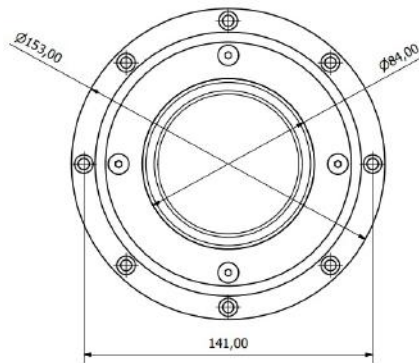
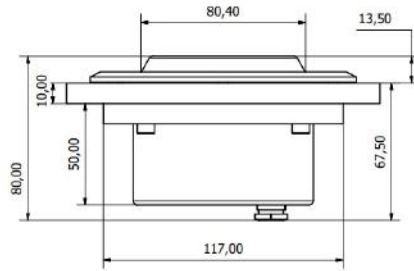
V- (blue mark)

Mechanical Characteristics

Diameter: 153 mm

Total height: 80 mm

Weight: 1.5 kg



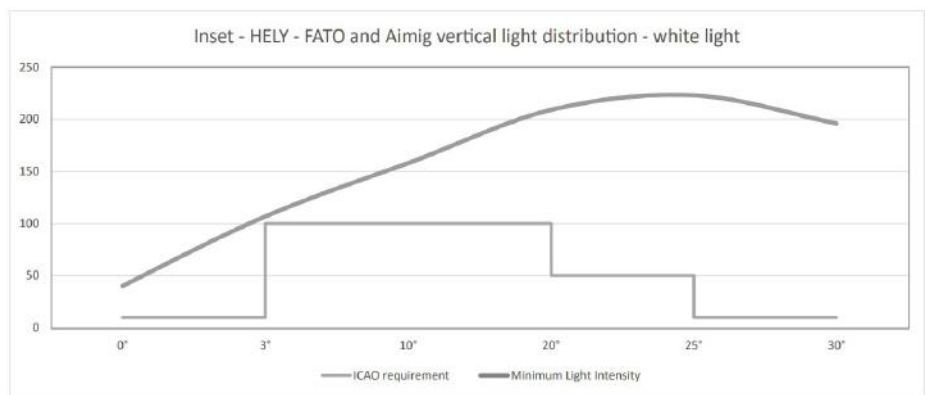
Photometric Characteristics

Intensity level: 100%, 30%, 10% version powered in 48 VDC or 1.4A CC

Horizontal output: 360°

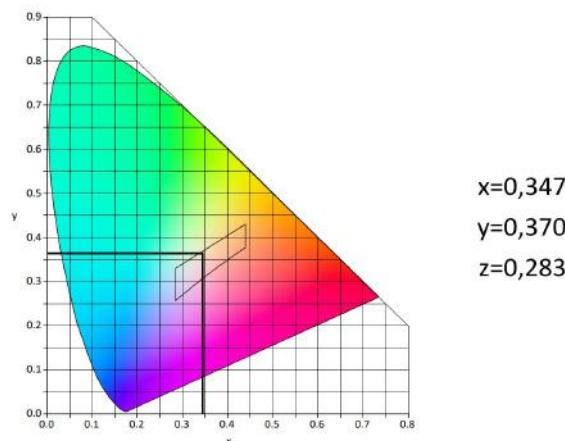
Light colour: White light

Vertical elevation angle	0°	3°	10°	20°	25°	30°
Required minimum intensity [cd]	10	100	100	100	50	10
Measured minimum intensity [cd]	40.3	104	158	209	223	196



The brightness intensity values complies with:
ICAO requirements Annex 14 Vol.2 fig. 5-11/5

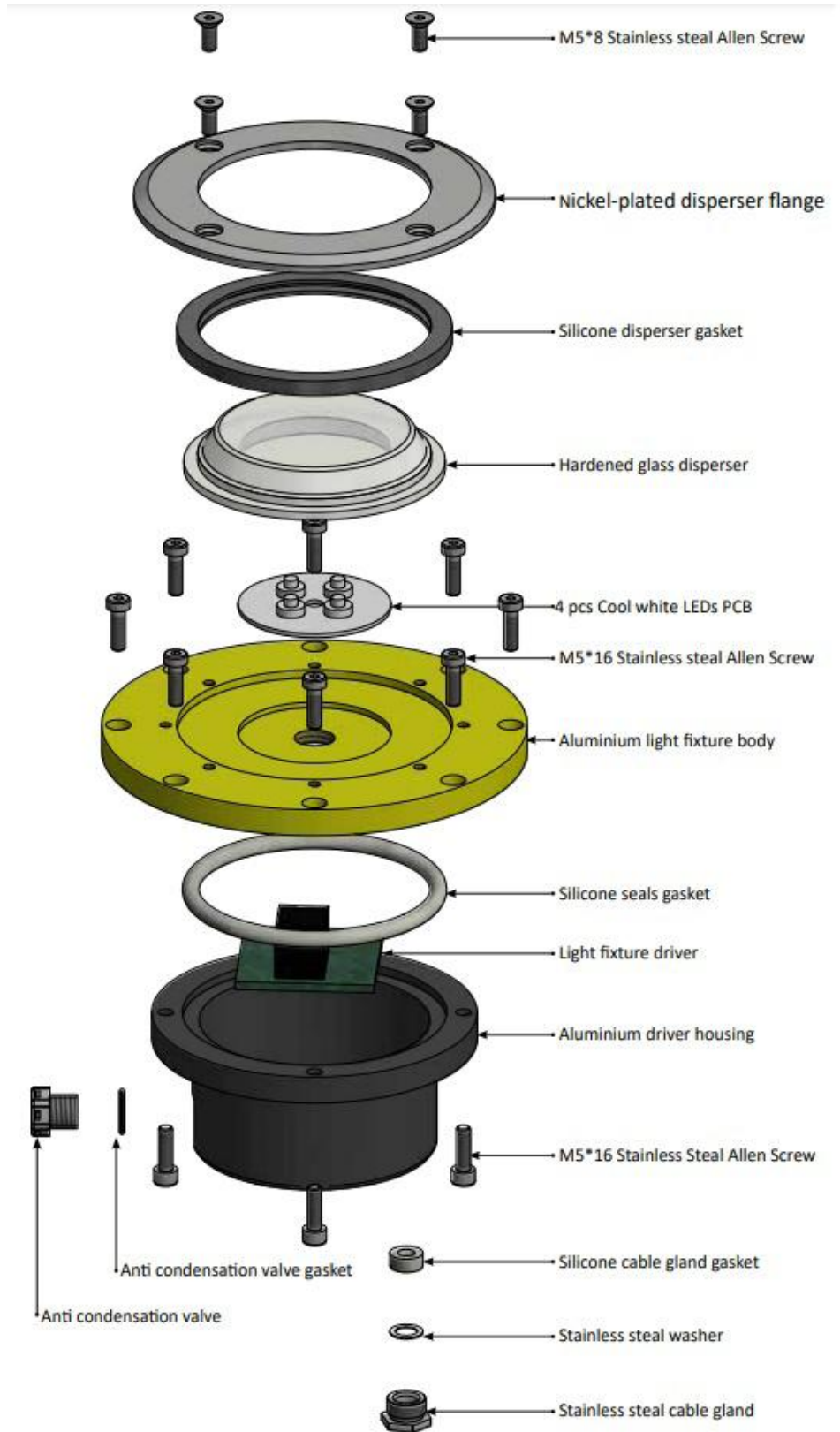
The light colour emitted by the light fixture is white, with the trichromatic coordinates:



The measured trichromatic coordinates correspond to colour range requirements in:






ICAO Annex 14 - Aerodromes Vol.1, fig, A1-1-1b.
Colours for aeronautical ground lights (solid state lighting)

Spare Parts



Accessory

To order accessories please call our customer support.
 For contact details please refer to our website - www.signalight.com

#	NAME - SERIES	PRODUCT CODE	IMAGE
1	ElectroMax Standard Φ 160mm Shallow Base	AL-104-AX	
2	Adapter Ring for 8" Shallow Base	AL-105-AX	
3	Φ 160mm Surface Mounted Base	AL-106-AX	
4	IP68 Electrical Junction Box	AL-107-AX	
5	Φ 160mm Shallow Base Installation Jig	AL-108-AX	



Signalight

+40 254 515 465
office@signalight.com

36 Lunca Street, Petrosani,
Hunedoara County, Romania

www.signalight.com