

# Elevated Heliport Fato Aiming



**Compliance to standards**

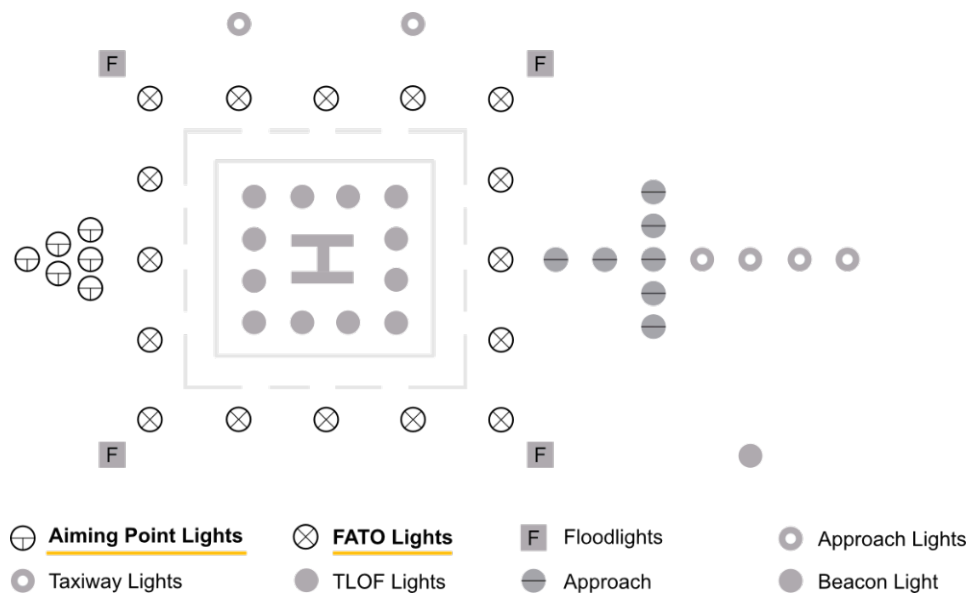
**ICAO:**  
International Civil Aviation Organization, Aerodromes, Annex 14, Vol. 1

**ICAO:**  
Annex 14, Volume II - Heliports

**IEC TS 61827:**  
Electrical installations for lighting and beaconing of aerodromes. Characteristics of inset and elevated luminaires used on aerodromes and heliports

**Application**

Aiming point and FATO lights ( Final Approach and Take Off Area )




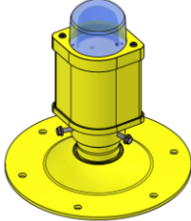
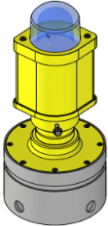
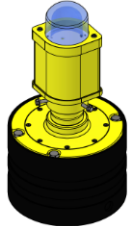
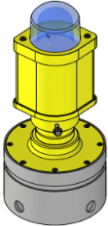
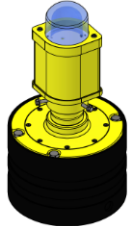
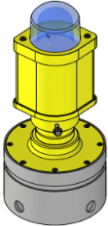
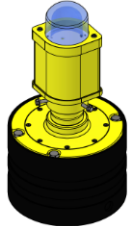
**Features**

Designed and built with simplicity and ease of maintenance in mind.

High power LED technology.

Lightweight, low-energy and environment friendly lighting fitting.

Extensive use of aluminium alloys reduces fitting weight and eases handling in the field.

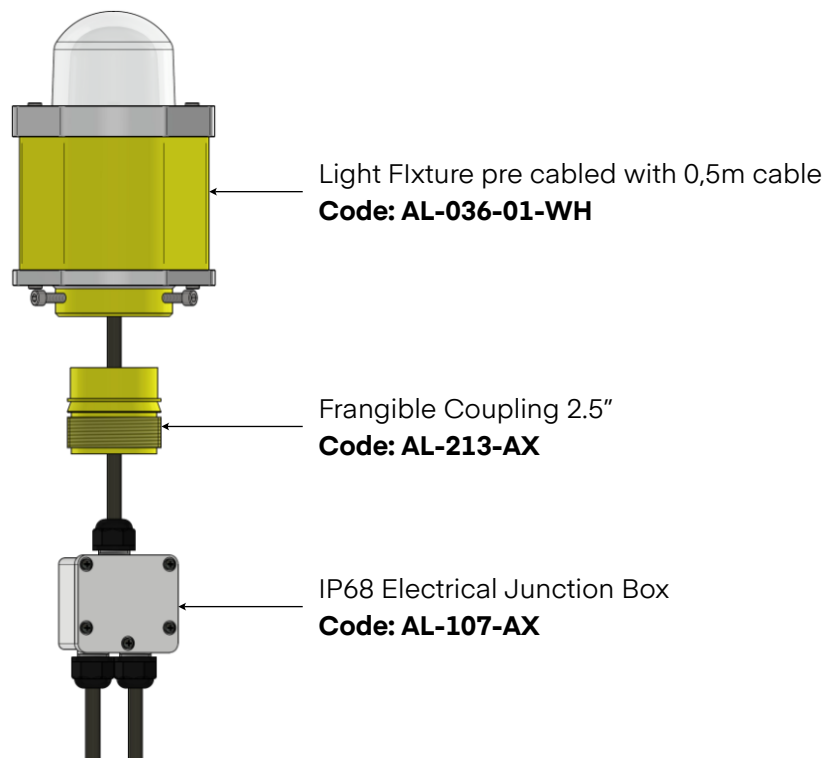
<p><b>Product Code</b></p>	<p><b>AL - 036 - 01 - WH</b></p> <p>Series Indicator (Airfield Lighting) <b>AL</b>          Product Indicator <b>036</b>          LEDs Number <b>01</b>          LEDs Light Color (White) <b>WH</b></p>		
<p><b>Description</b></p>	<p><b>Housing</b> - powder coated aluminium RAL 1004 (aviation yellow) </p> <p><b>Disperser</b> - hardened glass</p> <p><b>Cable gland</b> - nickel plated brass</p> <p><b>Fasteners</b> - stainless steel</p> <p>Light fixtures are provided with anti condensation valve.</p>		
<p><b>Environment</b></p>	<p><b>Temperature range:</b> -40° to +55°</p> <p><b>Degree of protection:</b> IP67</p> <p><b>Ka tested:</b> Salt mist</p> <p><b>Humidity:</b> 0-100%</p>		
<p><b>Mounting</b></p>	<p style="text-align: center;">Ø260 mm Base Plate &amp; Frangible Coupling</p> <div style="text-align: center;">  </div> <hr/> <table border="1" style="width: 100%; border-collapse: collapse;"> <tr> <td style="width: 50%; padding: 5px;"> <p style="text-align: center;">Ø160 mm ElectroMax Shallow Base &amp; Frangible Coupling</p> <div style="text-align: center;">  </div> </td> <td style="width: 50%; padding: 5px;"> <p style="text-align: center;">Ø8" IEC type Shallow Base with Adapter Ring &amp; Frangible Coupling</p> <div style="text-align: center;">  </div> <p><b>Note:</b> Only the Adapter ring is included. The Ø8" Shallow Base must be purchased separately.</p> </td> </tr> </table>	<p style="text-align: center;">Ø160 mm ElectroMax Shallow Base &amp; Frangible Coupling</p> <div style="text-align: center;">  </div>	<p style="text-align: center;">Ø8" IEC type Shallow Base with Adapter Ring &amp; Frangible Coupling</p> <div style="text-align: center;">  </div> <p><b>Note:</b> Only the Adapter ring is included. The Ø8" Shallow Base must be purchased separately.</p>
<p style="text-align: center;">Ø160 mm ElectroMax Shallow Base &amp; Frangible Coupling</p> <div style="text-align: center;">  </div>	<p style="text-align: center;">Ø8" IEC type Shallow Base with Adapter Ring &amp; Frangible Coupling</p> <div style="text-align: center;">  </div> <p><b>Note:</b> Only the Adapter ring is included. The Ø8" Shallow Base must be purchased separately.</p>		

**Electrical Characteristics**

**Power consumption:** 9 W

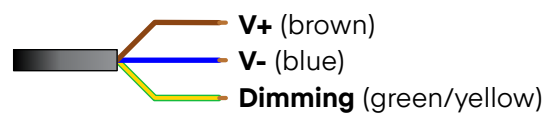
**Power supply:** 48 VDC from controller - dimmable : 100% ,30%, 10%  
 90-230 V, 50/60 Hz - non dimmable  
 1.4 A CC - dimmable : 100% ,30%, 10%

**Electrical connections**

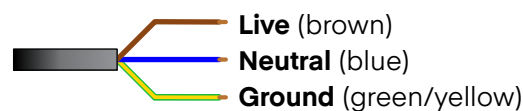


**Types of power supply:**

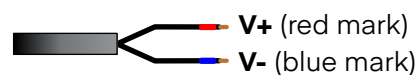
48 VDC power supply from controller with 3-core cable:



230 VAC directly from mains with 3-core cable:



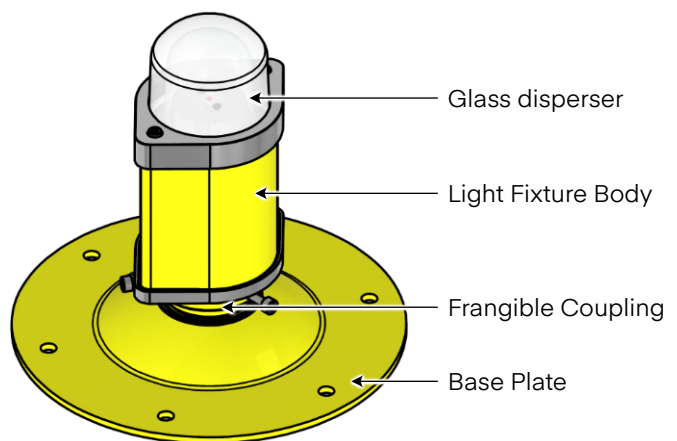
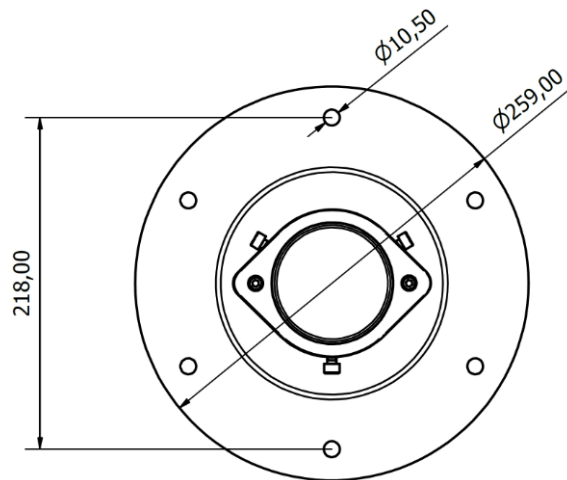
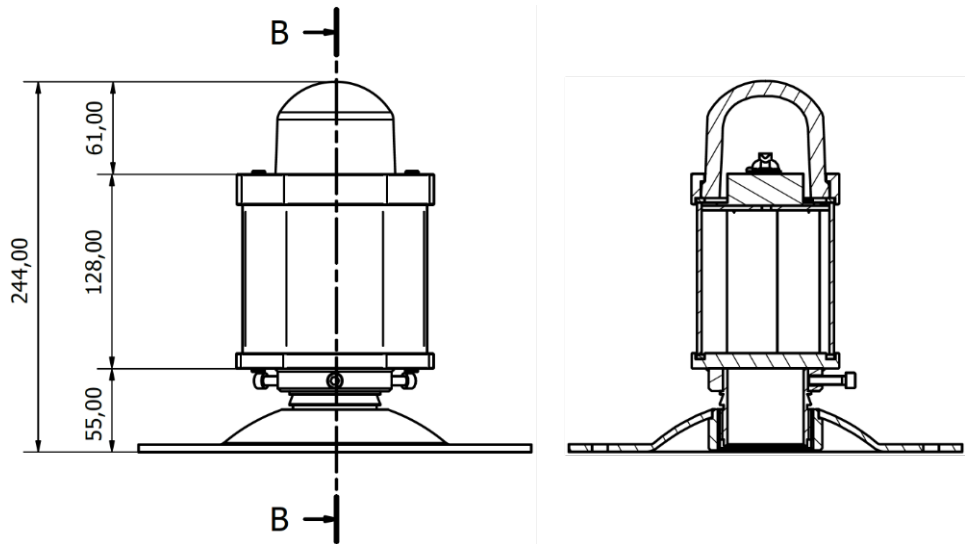
1.4 A CC power supply from controller with 2-core cable:



**Mechanical Characteristics**

**Total height:** 244 mm

**Weight:** 1.9 kg



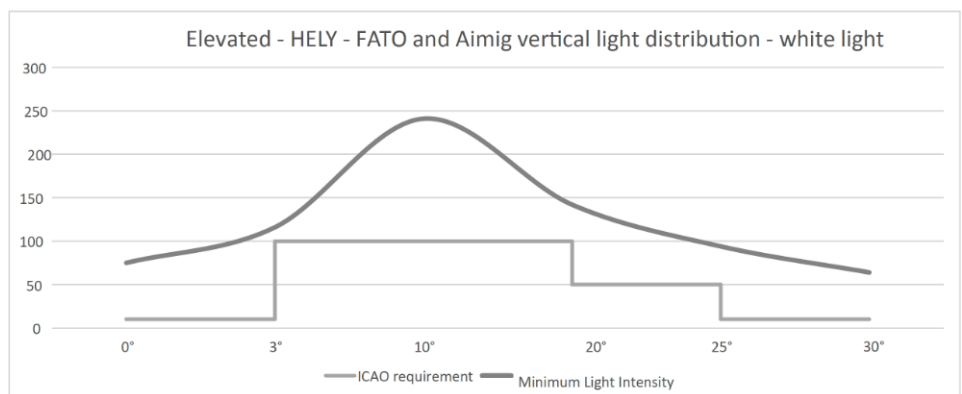
**Photometric Characteristics**

**Intensity level:** 100%, 30%, 10% with version powered in 48 VDC or 1.4 A CC

**Horizontal output:** 360°

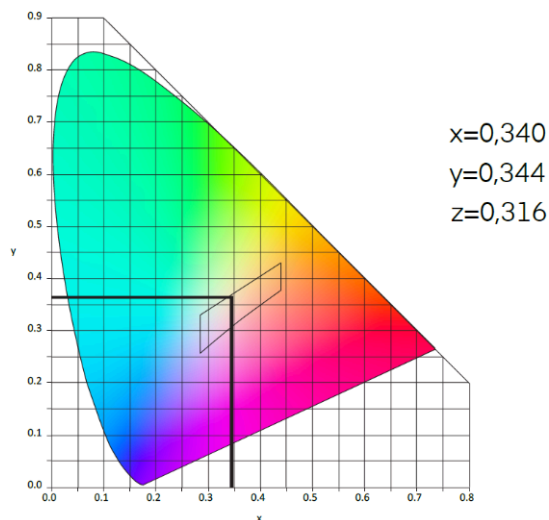
**Light color:** White

Vertical elevation angle	0°	3°	10°	20°	25°	30°
Required minimum intensity [cd]	10	100	100	100	50	10
Measured minimum intensity [cd]	75	116	241	142	94	644



The brightness intensity values complies with:  
**ICAO requirements Annex 14 Vol.1 fig. 5-12, illustration 4**

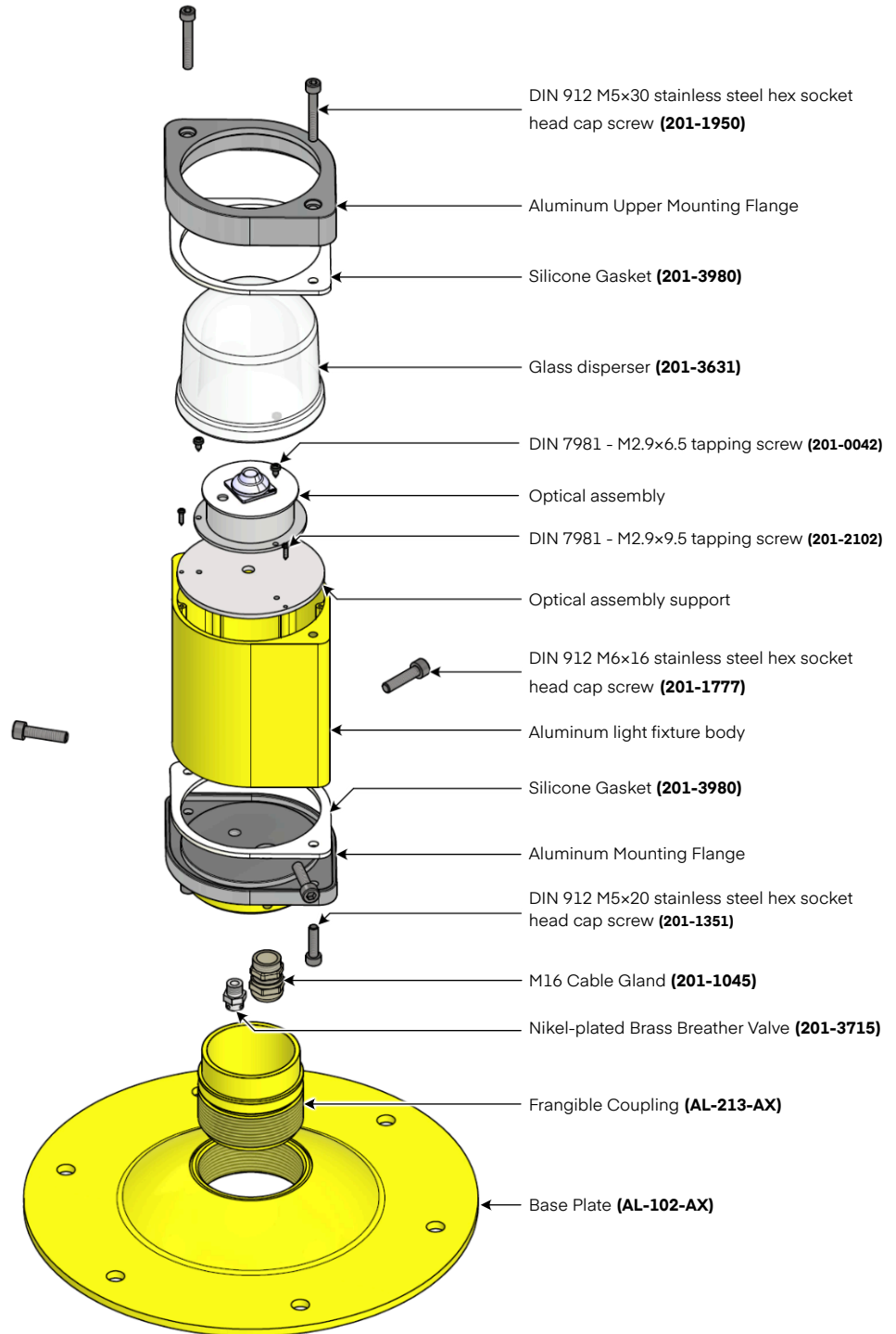
The light color emitted by the light fixture is white, with the following trichromatic coordinates:



The measured trichromatic coordinates correspond to color range requirements in:

**ICAO Annex 14 - Aerodromes Vol.1, fig, A1-1b. Colors for aeronautical ground lights (solid state lighting)**

**Spare Parts**



**Accessory**

To order accessories please call our customer support.  
 For contact details please refer to our website - [www.signalight.com](http://www.signalight.com)

#	Name - Series	Product Code	Image
1	Frangible Coupling 2.5"	AL-213-AX	
2	Ø260 mm Base Plate	AL-102-AX	
3	Mounting Flange	AL-103-AX	
4	ElectroMax Standard Ø160 mm Shallow Base	AL-104-AX	
5	Adapter Ring for 8" Shallow Base	AL-105-AX	
6	Ø160 mm Surface Mounted Base	AL-106-AX	
7	IP68 Electrical Junction Box	AL-107-AX	
8	Ø160 mm Shallow Base Installation Jig	AL-108-AX	



**Signalight**

**+40 254 515 465**  
**office@signalight.com**

36 Lunca Street, Petrosani,  
Hunedoara County, Romania

**[www.signalight.com](http://www.signalight.com)**