
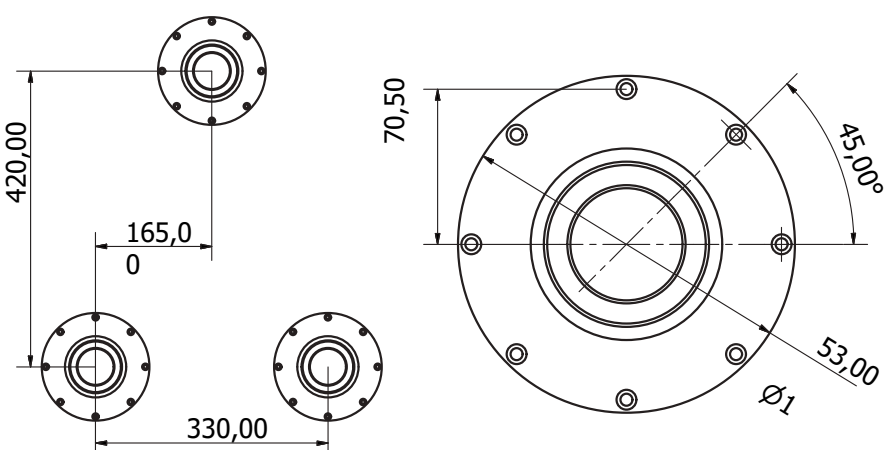


APAPI

Abbreviated Precision Approach Path Indicator

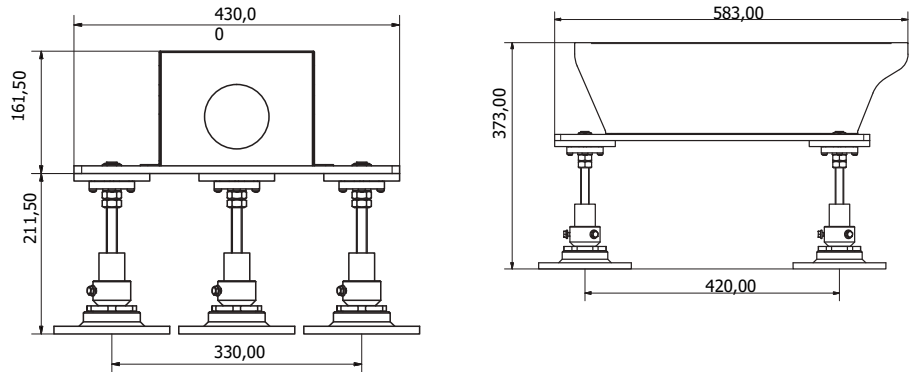


Compliance to standards	ICAO: International Civil Aviation Organization, Aerodromes, Annex 14, Vol. 1 Photometric - (ICAO) Figure A2-23 Light intensity distribution of PAPI and APAPI Chromaticity - Section 5.3.5.30
Application	The APAPI system provide the pilot precise visual information, enabling the approach procedure to be performed with accuracy and safety.
Features	Designed and built with simplicity and ease of maintenance in mind. High power LED technology Lightweight, low-energy and environment friendly lighting fitting. Extensive use of aluminium alloys reduces fitting weight and eases handling in the field.

<p>Product Code</p>	<p>AL - 088 - 30 - WH-RE</p> <p>Series Indicator (Airfield Lighting) AL Product Indicator 088 LEDs Number 30 LEDs Light Colour (white - red) WH - RE</p>
<p>Description</p>	<p>Housing - Powder coated aluminium RAL 1004 (aviation yellow)  Anti glare visor - powder-coated aluminium, RAL 9005 (gloss black) Dispenser - clear polycarbonate Cable gland - nickel plated brass Fasteners - stainless steel</p>
<p>Environment</p>	<p>Temperature range: - 40° to +55° Degree of protection: IP 67 Humidity: 0-100%</p>
<p>Mounting</p>	<p>Light units may be aimed at any vertical angle up to 10°. The mounting system is equipped with frangible couples.</p> 

**Mechanical
Characteristics**

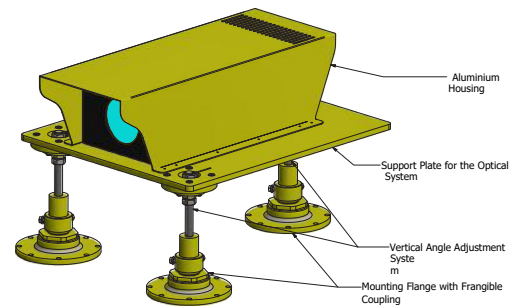
Overall dimensions: 583 x 430 x 373 mm
Weight: 19 kg



The APAPI is supplied in a ISPM 15 - compliant wooden crate.

Packaging:

650 x 500 x 1400 mm 26 kg



**Electrical
Characteristics**

Power consumption max 50W

Power supply 48V DC from controller - dimmable : 100% ,30%, 10%
 110-230V, 50/60Hz - non dimmable

Types of power supply :

- 48V DC power supply from controller with 3 core cable
 - V+** (brown)
 - V-** (blue)
 - Dimming** (green/yellow)
- 230V AC directly from mains power supply
 - Live** (brown)
 - Neutral** (blue)
 - Ground** (green/yellow)

Accessory

To order accessories please call our customer support.
For contact details please refer to our website - www.signalight.com



Signalight

+40 254 515 465
office@signalight.com

36 Lunca Street, Petrosani,
Hunedoara County, Romania

www.signalight.com